



SECTION S  
CAB

---

SWINGMASTER CORPORATION

PARTS BOOK

---

MACHINE

SECTION

-----  
MODEL 361 SWINGLOADER  
-----

-----  
CAB  
-----

DESCRIPTION

-----  
CAB INSTALLATION

    MODEL 361 CAB ASSEMBLY  
    FRONT DOOR ASSEMBLY  
    REAR DOOR ASSEMBLY

HEADLIGHTS AND CAB LOWER TRIM COVERS INSTALLATION

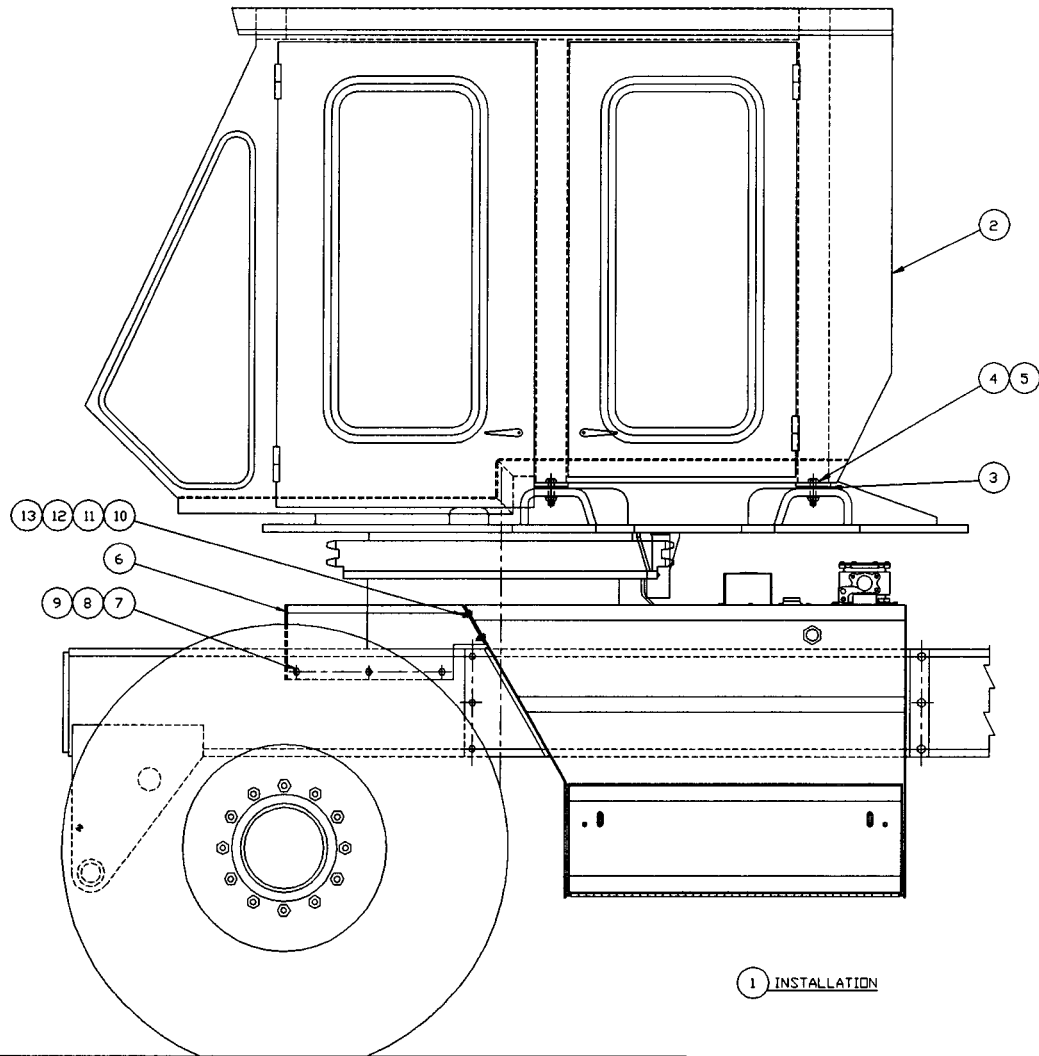
    HEAD LIGHT ASSEMBLY  
-----

---

SWINGMASTER CORPORATION  
11415 MELROSE AVENUE  
FRANKLIN PARK, ILLINOIS 60131

TELEPHONE: (847) 451-1224

---



1 INSTALLATION

TOLERANCES UNLESS OTHERWISE SPECIFIED FRACTIONS +/- 3 PLACE DECIMALS +/- 2 PLACE DECIMALS +/- 1 PLACE DECIMALS +/- ANGLES	<b>SWINGMASTER CORPORATION</b> 11415 MELROSE AVENUE FRANKLIN PARK, ILLINOIS 60131	
	<b>CAB INSTALLATION</b> FDR MODEL 361	
SEE SWINGMASTER SPECIFICATION G-1 FOR TOLERANCES NOT SPECIFIED	DRAWN BY: J.K. DATE: 11-22-88	DRAWING NO. <b>D-225</b>

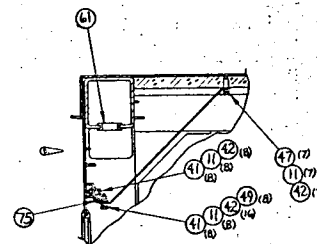
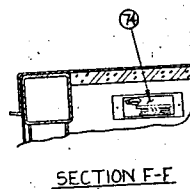
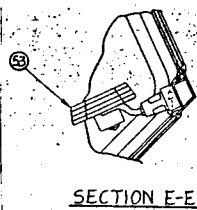
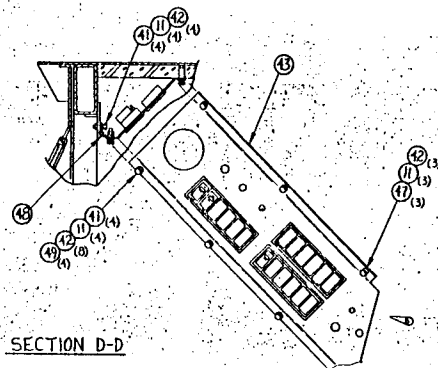
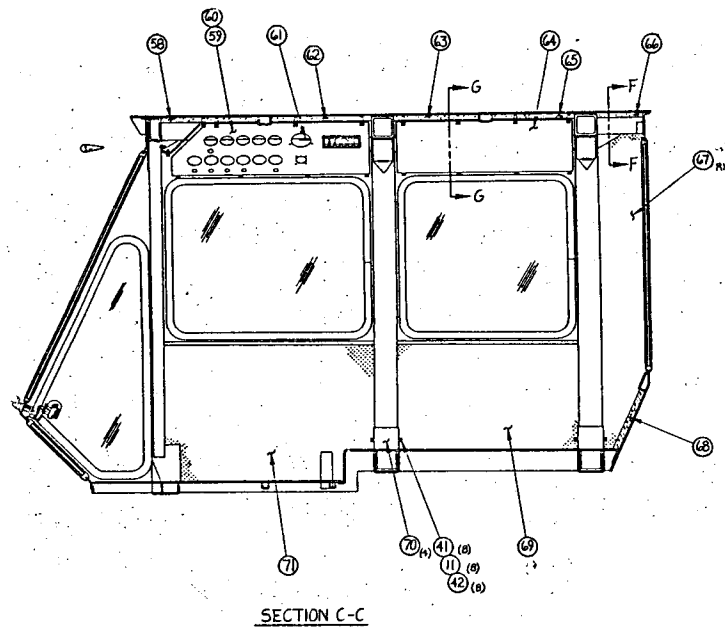
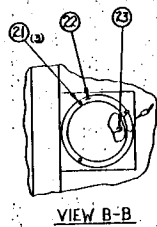
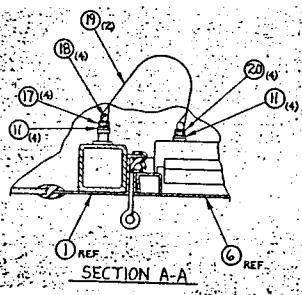
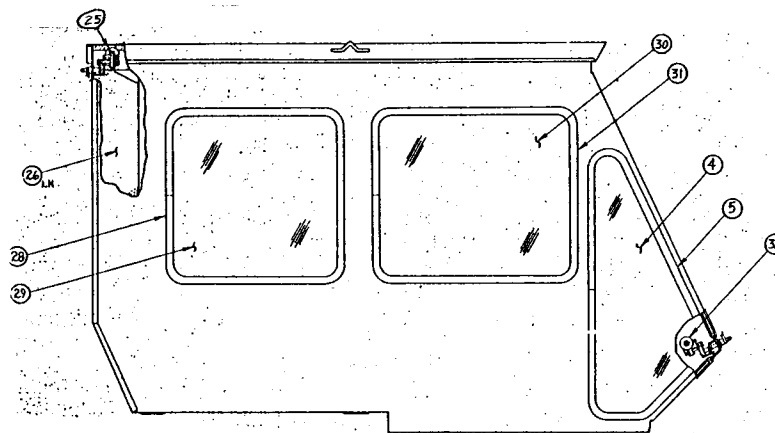
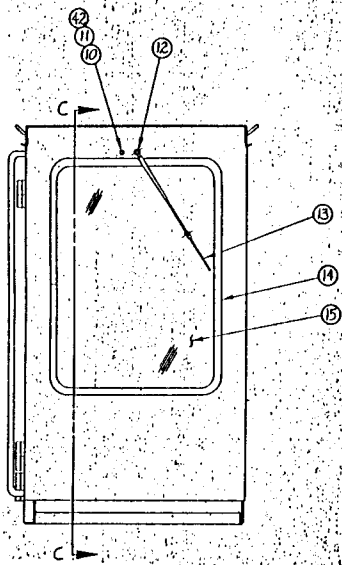
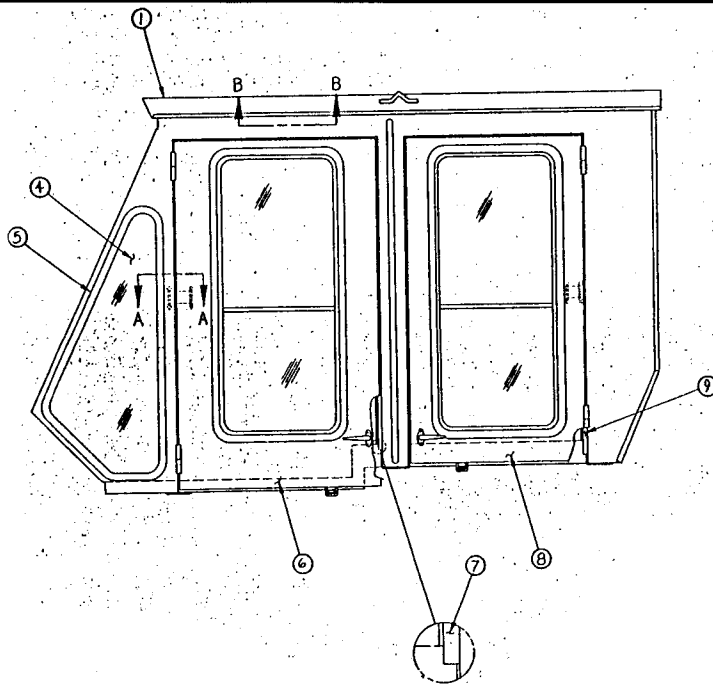
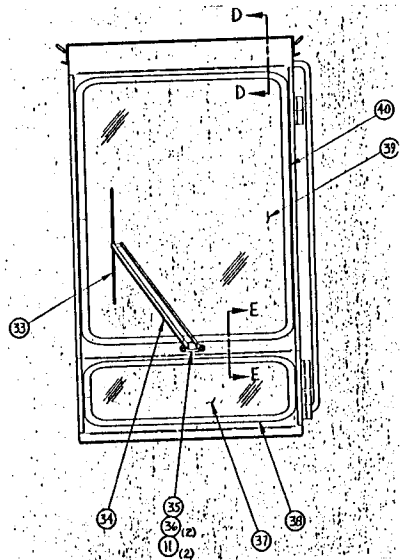
---

MACHINE	SECTION	19
-----	-----	-----
MODEL 361 SWINGLOADER	CAB	
-----	-----	-----

ASSEMBLY NUMBER	DESCRIPTION
-----	-----
1802195	CAB INSTALLATION
-----	-----

ITEM NO.	PART NUMBER	DESCRIPTION	QTY. USED
2	1802196	ROPS CAB ASSEMBLY - MODEL	1.00
3	1802197	361 CUSHION PAD	4.00
4	1802023	H.H.C.S. 3/4-10 X 3" LONG	4.00
5	1800522	ESNA HEX NUT 3/4-10	4.00
6	1802198	LEFTHAND FRONT FENDER WELDMENT	1.00
7	1800469	H.H.C.S. 1/2-13 X 1" LONG	3.00
8	1800554	1/2" FLAT WASHER	3.00
9	1800570	1/2" LOCK WASHER	3.00
10	1800452	H.H.C.S. 3/8-16 X 1" LONG	2.00
11	1800514	HEX NUT 3/8-16	2.00
12	1800552	3/8" FLAT WASHER	2.00
13	1800568	3/8" LOCK WASHER	2.00

---



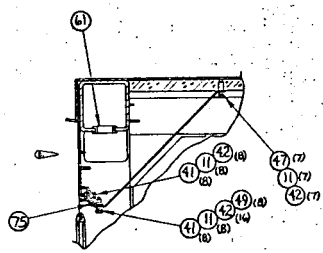
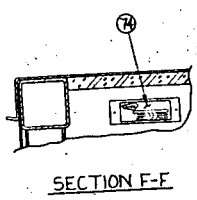
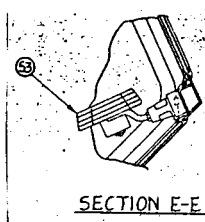
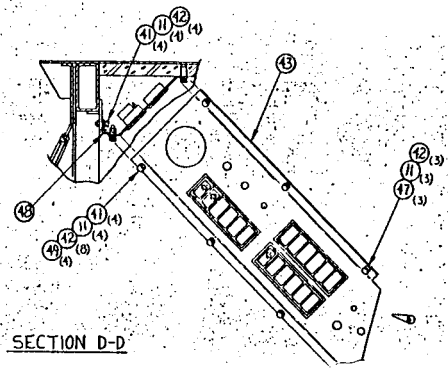
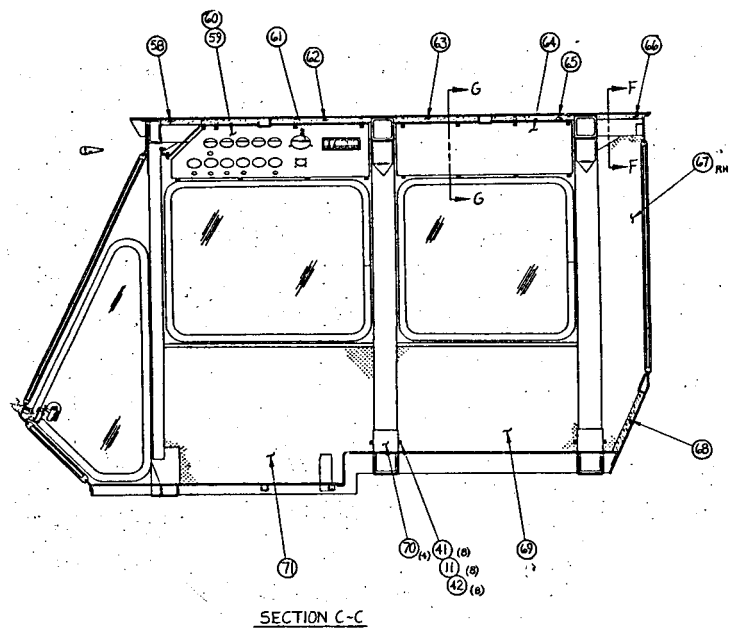
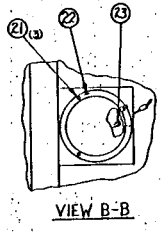
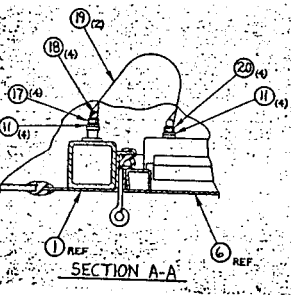
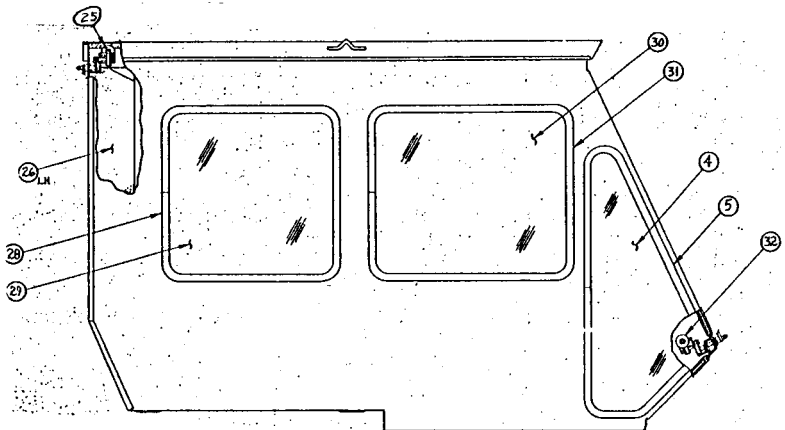
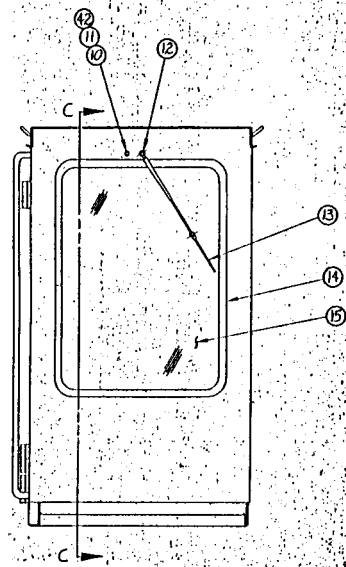
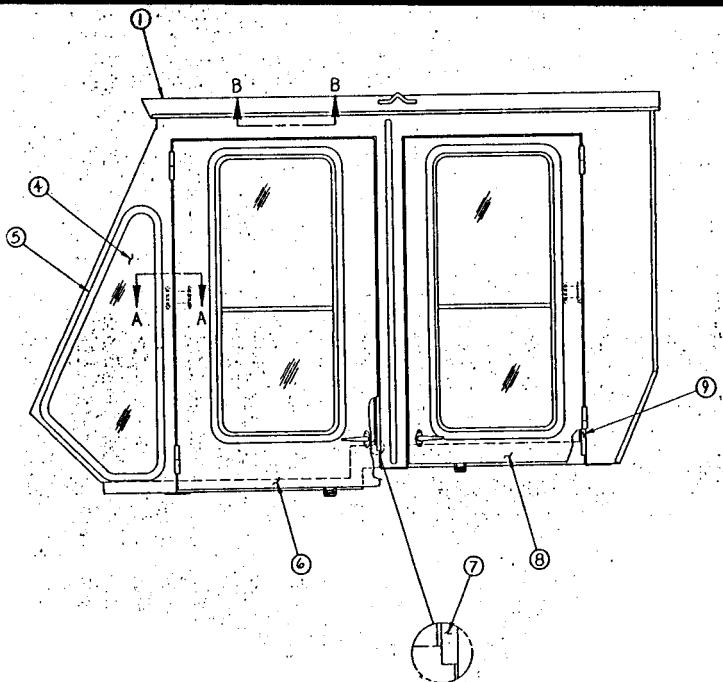
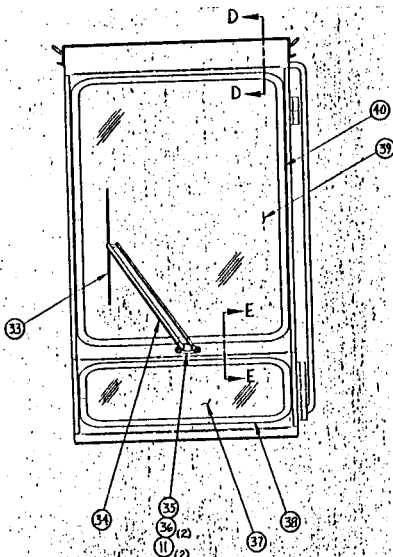
MACHINE	SECTION	19
MODEL 361 SWINGLOADER	CAB	

ASSEMBLY NUMBER	DESCRIPTION
1802196	MODEL 361 CAB ASSEMBLY

ITEM NO.	PART NUMBER	DESCRIPTION	QTY. USED
1	8702608	CAB WELDMENT	1
4	8702609	FRONT SIDE GLASS	2
5	8702610	FRONT SIDE GLASS GASKET	2
6	8702611	FRONT DOOR ASSEMBLY	1
7	8702612	RUBBER SEAL	1
8	8702613	REAR DOOR ASSEMBLY	1
9	8702614	RUBBER SEAL	1
10	1800073	H.H.C.S. 1/4-28 X 3/4" LONG	1
11	1800567	1/4" LOCK WASHER	53
12	8700847	REAR WIPER ARM	1
13	8700848	REAR WIPER BLADE	1
14	8702615	REAR WINDOW GASKET	1
15	8702616	REAR GLASS	1
17	1802747	S.H.C.S. 1/4-20 X 1/2" LONG	4
18	8702618	STRAP LOOP	4
19	8702619	DOOR STRAP	2
20	1802748	S.H.C.S. 1/4-20 X 3/4" LONG	4
21	1800845	1/8" POP RIVET	3
22	8700829	DOME LIGHT ASSEMBLY	1
23	8700862	GROMMET	1
25	8700846	REAR WIPER MOTOR - 12 VOLT	1
26	8702621	REAR LEFTHAND SIDE FOAM	1
28	8702622	REAR SIDE WINDOW GASKET	1
29	8702623	REAR SIDE WINDOW	1
30	8702624	MIDDLE SIDE GLASS	1
31	8702625	MIDDLE SIDE GLASS GASKET	1
32	8700841	FRONT WIPER MOTOR - 12 VOLT	1
33	8700826	FRONT WIPER BLADE	1
34	8700825	FRONT WIPER ARM	1

SWINGMASTER CORPORATION  
 11415 MELROSE AVENUE  
 FRANKLIN PARK, ILLINOIS 60131

TELEPHONE: (847) 451-1224

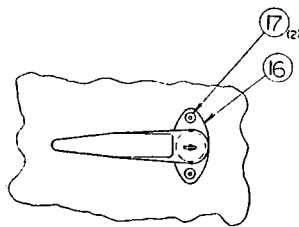
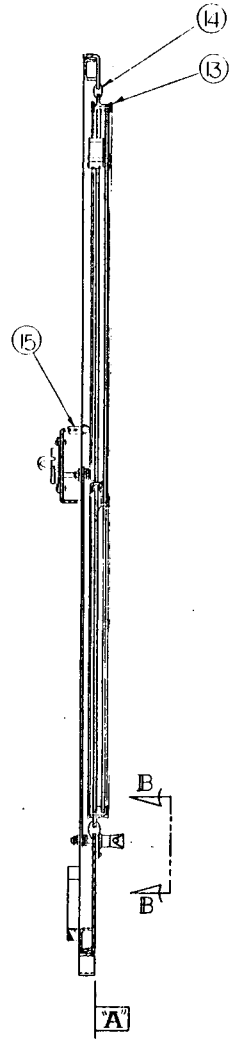
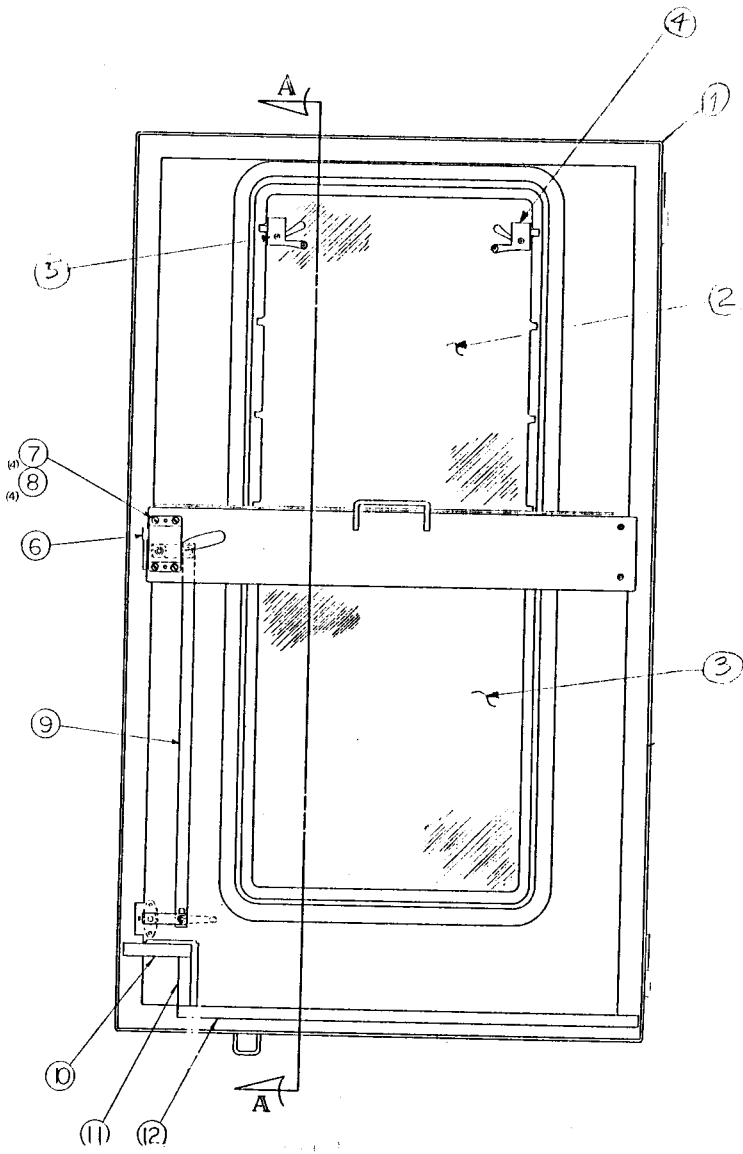


MACHINE	SECTION	19
MODEL 361 SWINGLOADER	CAB	

ASSEMBLY NUMBER	DESCRIPTION
1802196	MODEL 361 CAB ASSEMBLY

ITEM NO.	PART NUMBER	DESCRIPTION	QTY. USED
35	8700827	WIPER ARM POST ADAPTER	1
36	1802746	H.H.C.S. 1/4-28 X 2" LONG	2
37	8702626	LOWER WINDSHIELD GLASS	1
38	8702627	LOWER WINDSHIELD GLASS GASKET	1
39	8702628	UPPER WINDSHIELD GLASS	1
40	8702629	UPPER WINDSHIELD GLASS GASKET	1
41	1800436	H.H.C.S. 1/4-20 X 3/4" LONG	32
42	1800548	1/4" FLAT WASHER	55
43	1802267	FRONT INSTRUMENT PANEL	1
47	1800430	H.H.C.S. 1/4-20 X 1/2" LONG	10
48	8702630	FRONT INSTRUMENT PANEL HINGE	1
49	1800510	HEX NUT 1/4-20	12
53	8700828	DEFROSTER FAN	1
58	8702631	FRONT ROOF FOAM	1
59	1802289	SIDE INSTRUMENT PANEL - FRONT	1
60	8702632	SIDE INSTRUMENT PANEL - FRONT - HINGE	1
61	8702633	WINDLACE	2
62	8702634	ROOF FOAM	1
63	8702635	ROOF FOAM	1
64	8702636	SIDE INSTRUMENT PANEL - REAR	1
65	8702637	ROOF FOAM	1
66	8702638	REAR ROOF FOAM	1
67	8702639	REAR RIGHTHAND SIDE FOAM	1
68	8702640	LOWER REAR FOAM	1
69	8702641	RIGHTHAND REAR SIDE FOAM	1
70	8702642	GUSSET COVER	4
71	8702643	RIGHTHAND FRONT SIDE FOAM	1
74	8702644	NAME PLATE	1
75	8702645	SIDE INSTRUMENT PANEL - REAR - HINGE	1



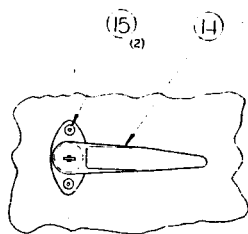
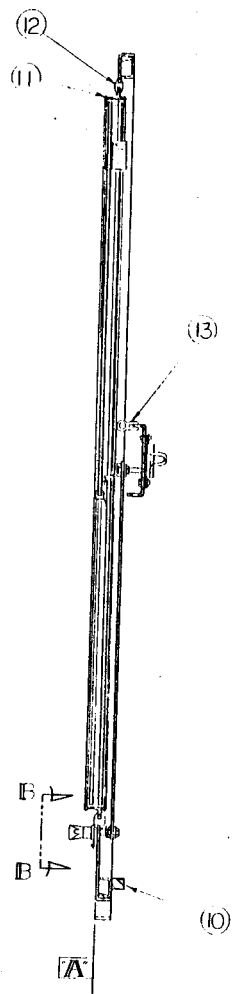
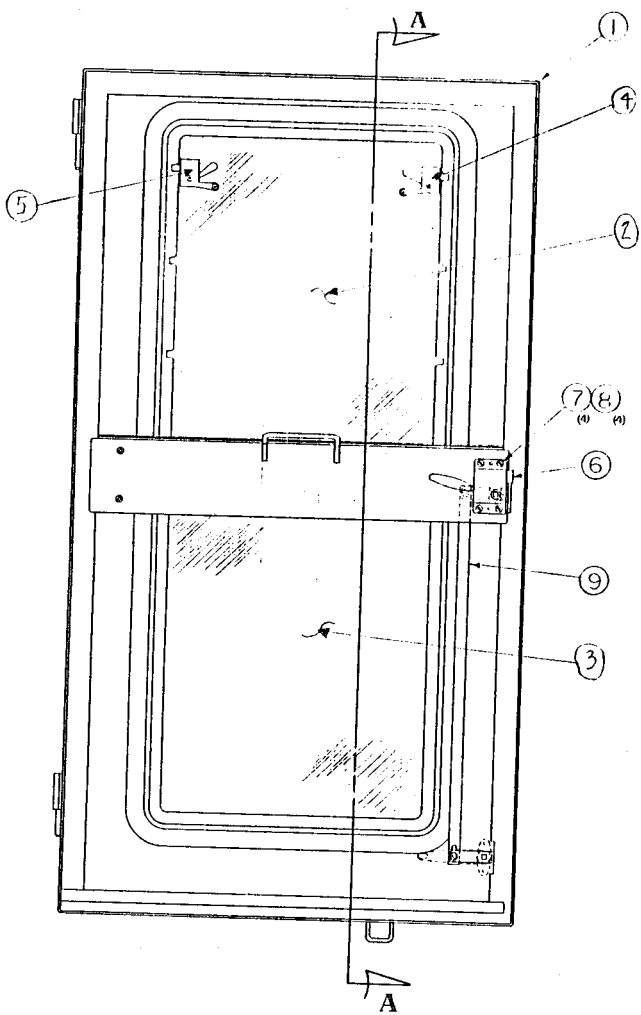


VIEW B-B

MACHINE SECTION ----- 19  
 -----  
 MODEL 361 SWINGLOADER CAB  
 -----

ASSEMBLY  
 NUMBER DESCRIPTION  
 -----  
 8702611 FRONT CAB DOOR ASSEMBLY  
 -----

ITEM NO.	PART NUMBER	DESCRIPTION	QTY. USED
1	8702646	FRONT CAB DOOR WELDMENT	1
2a	8701759	TOP WINDOW WITH WIPER BAR (GLASS)	1
2b	8701761	TOP WINDOW WITH WIPER BAR (LEXAN)	1
3a	8701760	BOTTOM WINDOW WITH STATIONARY BAR (GLASS)	1
3b	8701762	BOTTOM WINDOW WITH STATIONARY BAR (LEXAN)	1
4	8701764	RIGHTHAND WINDOW LATCH	1
5	8701763	LEFTHAND WINDOW LATCH	1
6	8702647	LEFTHAND LATCH ASSEMBLY	1
7	1801434	R.H.M.S. #10-32 X 3/4" LONG	4
8	1800566	#10 LOCK WASHER	4
9	8702648	LATCH LINKAGE ASSEMBLY - FRONT DOOR	1
10	8702649	RUBBER SEAL	1
11	8702650	RUBBER SEAL	1
12	8702651	RUBBER SEAL	1
13a	8700748	VERTICAL DROP WINDOW ASSEMBLY (GLASS) INCLUDES ITEMS 2a,3a	1
13b	8700906	VERTICAL DROP WINDOW ASSEMBLY (LEXAN) INCLUDES ITEMS 2b,3b	1
14	8700818	WINDOW GASKET	1
15	8702652	DOOR RUBBER	1
16	8702653	DOOR HANDLE	1
17	1800845	1/8" POP RIVET	2



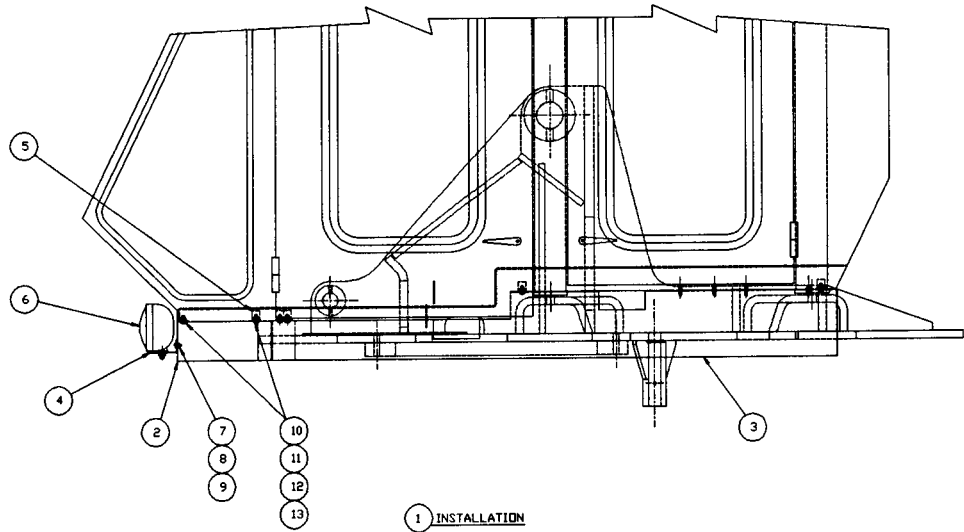
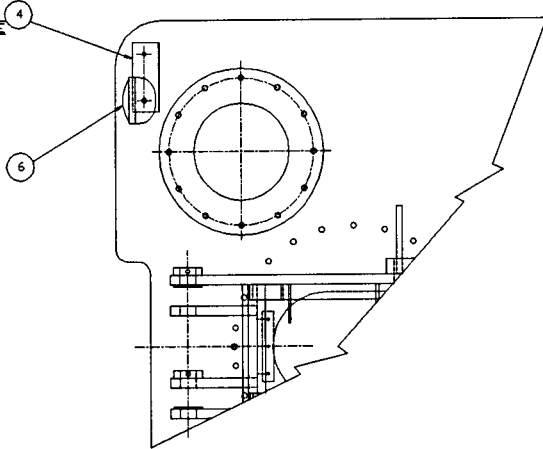
VIEW E-E

MACHINE	SECTION	-----19
MODEL 361 SWINGLOADER	CAB	

ASSEMBLY NUMBER	DESCRIPTION
8702613	REAR CAB DOOR ASSEMBLY

ITEM PART NO.	PART NUMBER	DESCRIPTION	QTY. USED
1	8702654	REAR CAB DOOR WELDMENT	1
2a	8701759	TOP WINDOW WITH WIPER BAR (GLASS)	1
2b	8701761	TOP WINDOW WITH WIPER BAR (LEXAN)	1
3a	8701760	BOTTOM WINDOW WITH STATIONARY BAR (GLASS)	1
3b	8701762	BOTTOM WINDOW WITH STATIONARY BAR (LEXAN)	1
4	8701764	RIGHTHAND WINDOW LATCH	1
5	8701763	LEFTHAND WINDOW LATCH	1
6	8702655	RIGHTHAND LATCH ASSEMBLY	1
7	1801434	R.H.M.S. #10-32 X 3/4" LONG	4
8	1800566	#10 LOCK WASHER	4
9	8702656	LATCH LINKAGE ASSEMBLY - REAR DOOR	1
10	8702649	RUBBER SEAL	1
11a	8700748	VERTICAL DROP WINDOW ASSEMBLY (GLASS) INCLUDES ITEMS 2a,3a	1
11b	8700906	VERTICAL DROP WINDOW ASSEMBLY (LEXAN) INCLUDES ITEMS 2b,3b	1
12	8700818	WINDOW GASKET	1
13	8702652	DOOR RUBBER	1
14	8702653	DOOR HANDLE	1
15	1800845	1/8" POP RIVET	2

#1/2 DRILL (2) HOLES  
ON TURNABLE BASE PLATE  
BEFORE (4) WELD IN PLACE



REVISION
1

TOLERANCES UNLESS OTHERWISE SPECIFIED FRACTIONS +/- 3 PLACE DECIMALS +/- 2 PLACE DECIMALS +/- 1 PLACE DECIMALS +/- ANGLES	<b>SWINGMASTER CORPORATION</b> 11415 NEUROSE AVENUE FRANKLIN PARK, ILLINOIS 60131	
	<b>HEADLIGHTS &amp; CAB LOWER TRIM COVERS</b>	
	<b>INSTALLATION</b>	
	SEE SWINGMASTER SPECIFICATION C-1 FOR TOLERANCES NOT SPECIFIED	FOR MODEL 361
DIMENSIONS ARE IN INCHES DO NOT SCALE DRAWING SCALE: 1/8"	DRAWN BY: J.K. DATE: 12-29-88	

---

SWINGMASTER CORPORATION

PARTS BOOK

---

MACHINE	SECTION	19
-----	-----	-----
MODEL 361 SWINGLOADER	CAB	
-----	-----	-----

ASSEMBLY NUMBER	DESCRIPTION
-----	-----
1802233	HEADLIGHTS & CAB LOWER TRIM COVERS INSTL
-----	-----

ITEM PART NO. NUMBER	DESCRIPTION	QTY. USED
2	1802234 CAB FRONT LOWER TRIM COVER	1.00
3	1802235 CAB SIDE LOWER TRIM COVER	1.00
4	1802236 HEADLIGHT MOUNTING BRACKET	2.00
5	1802237 ANGLE	7.00
6	1800300 6" DIAMETER LIGHT - 1,600 C.P.	2.00
7	1800451 H.H.C.S. 3/8-16 X 3/4" LONG	2.00
8	1800514 HEX NUT 3/8-16	2.00
9	1800568 3/8" LOCK WASHER	2.00
10	1800548 1/4" FLAT WASHER	7.00
11	1800430 H.H.C.S. 1/4-20 X 1/2" LONG	7.00
12	1800673 1/4-20 CLIP NUT	7.00
13	1800567 1/4" LOCK WASHER	7.00

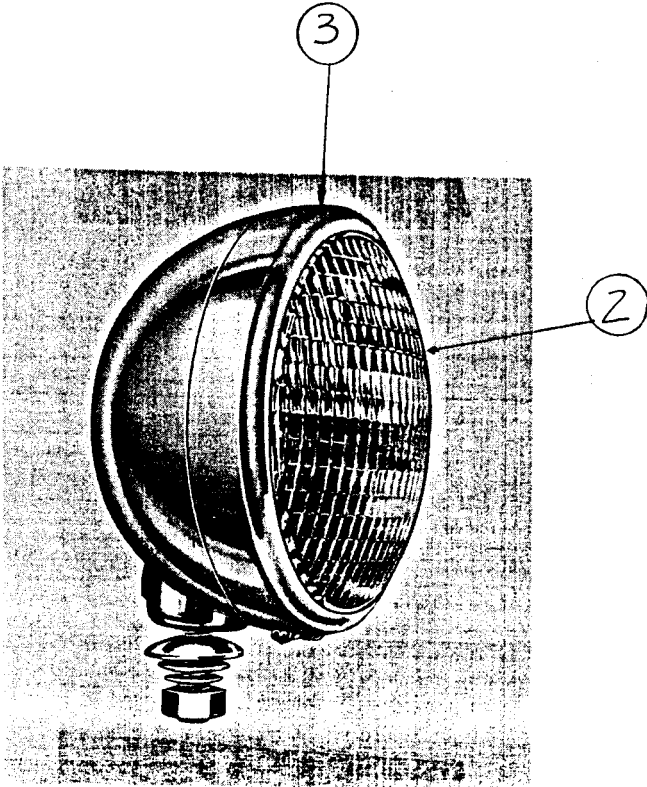
---

---

SWINGMASTER CORPORATION  
11415 MELROSE AVENUE  
FRANKLIN PARK, ILLINOIS 60131

TELEPHONE: (847) 451-1224

---



① ASSEMBLY

---

SWINGMASTER CORPORATION

PARTS BOOK

---

MACHINE

SECTION

19

-----  
MODEL 361 SWINGLOADER  
-----

-----  
CAB  
-----

ASSEMBLY  
NUMBER

DESCRIPTION

-----  
1800300  
-----

-----  
HEAD LIGHT ASSEMBLY  
-----

ITEM PART

NO. NUMBER DESCRIPTION

QTY.  
USED

2	8701358	SEALED BEAM - 1,600 CANDLE POWER	1
2	8701359	SEALED BEAM - 11,000 CANDLE POWER	1
2	8701360	SEALED BEAM - 30,000 CANDLE POWER	1
3	8701361	BEZEL	1

---

---

SWINGMASTER CORPORATION

11415 MELROSE AVENUE

FRANKLIN PARK, ILLINOIS 60131

TELEPHONE: (847) 451-1224

---