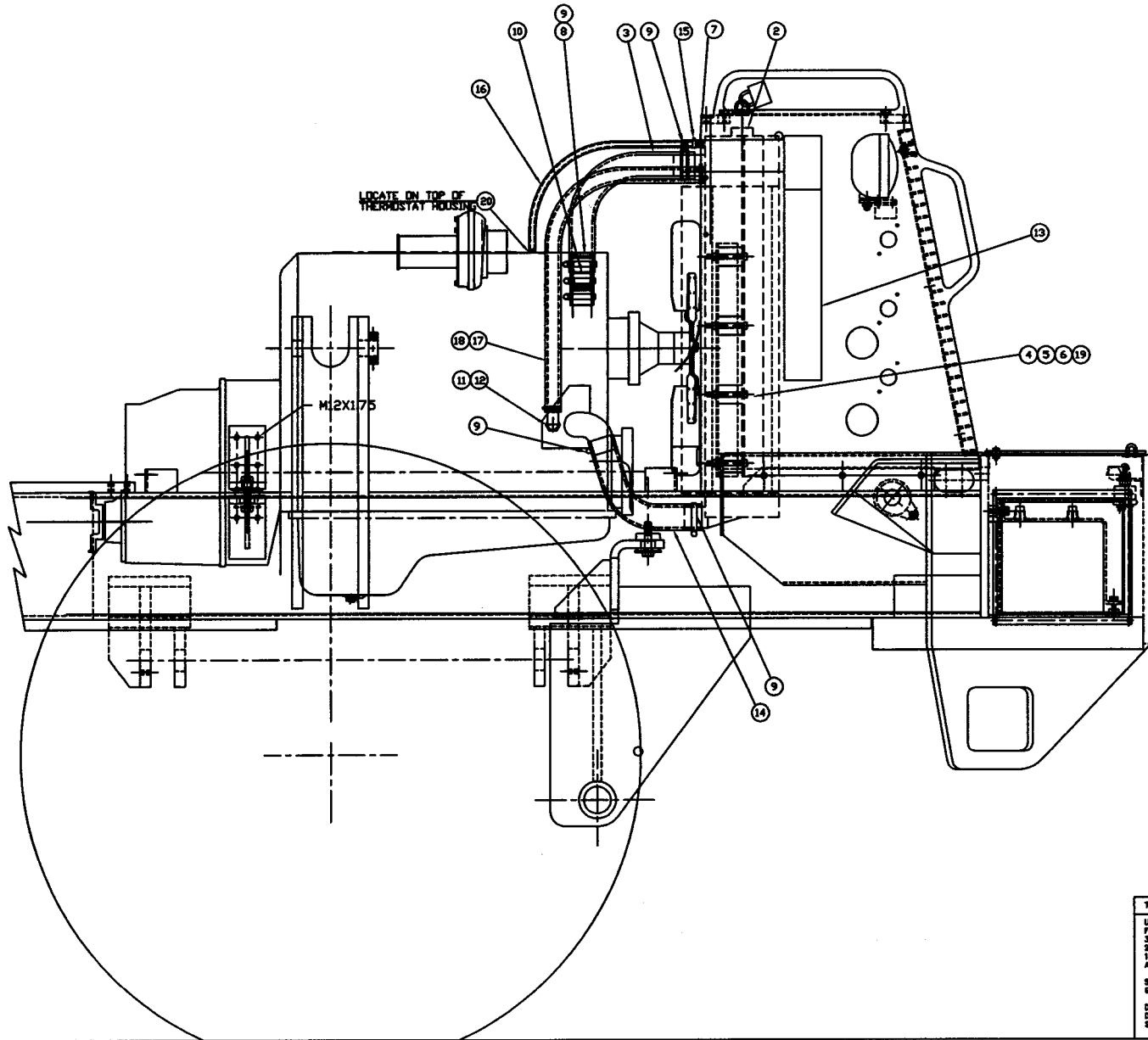




SECTION L

COOLING  
SYSTEM



**TOLERANCES**  
 UNLESS OTHERWISE SPECIFIED  
 FRACTIONS +/-  
 3 PLACE DECIMALS +/-  
 2 PLACE DECIMALS +/-  
 1 PLACE DECIMALS +/-  
 ANGLES  
 SEE SWINGMASTER SPECIFICATION  
 0-1 FOR TOLERANCES NOT SPECIFIED  
 DIMENSIONS ARE IN INCHES  
 DO NOT SCALE DRAWING  
 SCALE: 1/3

**SWINGMASTER CORPORATION**  
 11415 MELROSE AVENUE  
 FRANKLIN PARK, ILLINOIS 60131  
**RADIATOR INSTALLATION**  
 MODEL SL180 WITH CUMMINS 6.7 ENGINE  
 DRAWN BY: J.K.      DRAWING NO. D5-739  
 DATE: 6-12-07

MECHINE

SECTION

12

MODEL SL180 SWINGLOADER

COOLING SYSTEM

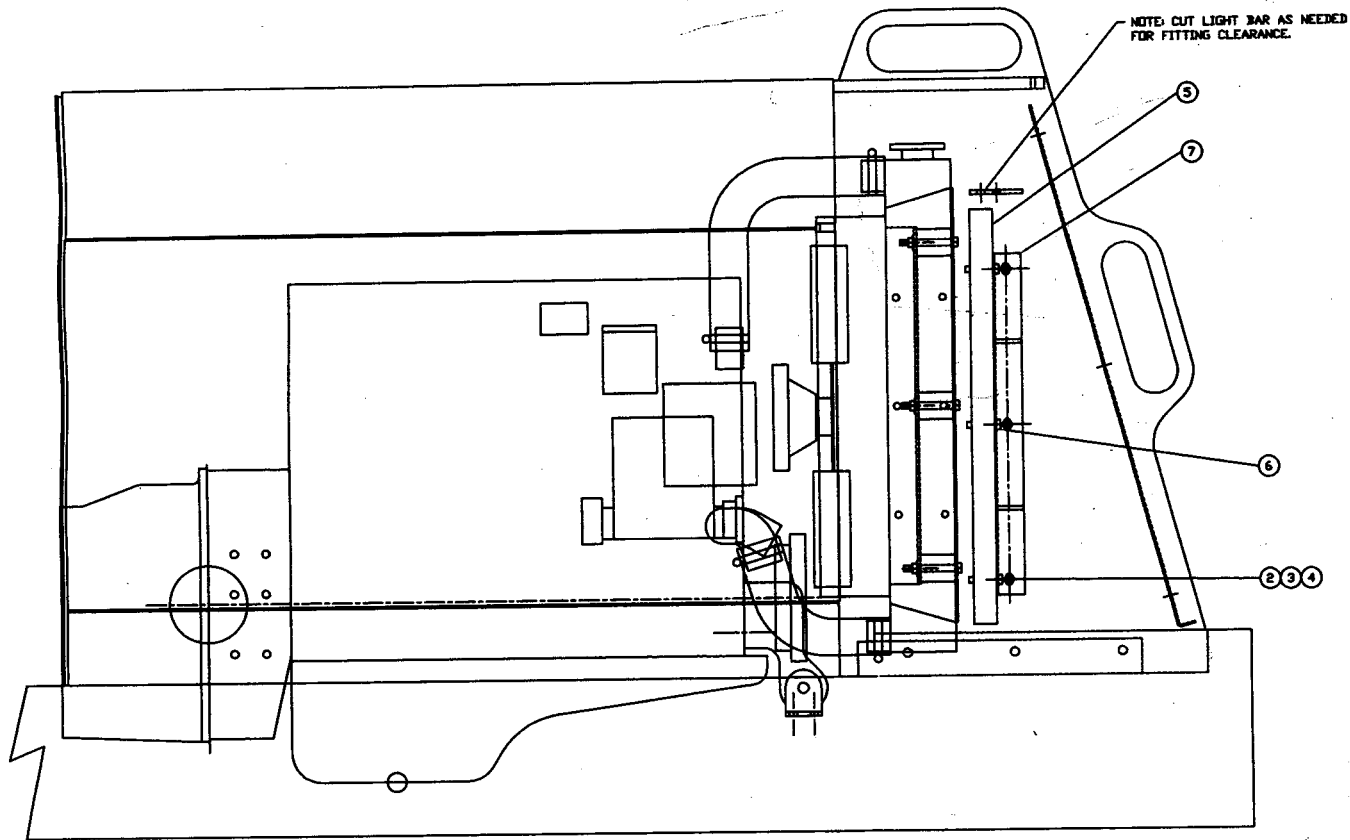
ASSEMBLY  
NUMBER

DESCRIPTION

1806723 RADIATOR INSTALLATION

ITEM NO.	PART NUMBER	DESCRIPTION	QTY USED
2	1805598	RADIATOR CAP - 10 LBS	1
3	1805637	RAD. HOSE	1
4	1800463	H.H.C.S. 3/8-16 X 3 1/2" LONG	8
5	1800515	ESNA HEX NUT 3/8-16	12
6	1800552	3/8" FLAT WASHER	12
7	1806123	HOSE BEAD TO MALE PIPE	1
8	1806124	HOSE ADAPTOR	1
9	1800693	2 1/2" HOSE CLAMP	6
10	1806722	RAD. HOSE - 1.75" X 3" LG.	1
11	1802876	90 DEGREE PIPE ELBOW - 1/2-M TO 3/4	1
12	1806126	HOSE BARB TO MALE PIPE	1
13	1806273	RADIATOR W/ CAC.	1
14	1800322	RADIATOR HOSE 2" I.D. x 18" LG.	1
15	1806131	HOSE CLAMP	2
16	1806132	HOSE 3/8"ID. / (IN)	40
17	1802802	FC-350-16 BULK HOSE / (IN)	38
18	1805642	HOSE CLAMP	2
19	1801291	RUBBER MOUNT	8
20	1806133	HOSE BEAD TO MALE PIPE	1

FRONT OF MACHINE



NOTE: CUT LIGHT BAR AS NEEDED FOR FITTING CLEARANCE.

1 INSTALLATION

<b>TOLERANCES</b> UNLESS OTHERWISE SPECIFIED FRACTIONS +/- 3 PLACE DECIMALS +/- 2 PLACE DECIMALS +/- 1 PLACE DECIMALS +/- ANGLES	<b>SWINGMASTER CORPORATION</b> 11410 WELCH AVE. FRANKLIN PARK, ILLINOIS 60131
SEE SWINGMASTER SPECIFICATION 0-1 FOR TOLERANCES NOT SPECIFIED	<b>TRANSMISSION COOLER INSTALLATION</b>
DIMENSIONS ARE IN INCHES DO NOT SCALE DRAWING SCALE 1/4"	<b>FOR CUMMINS 885.9 DIESEL ENGINE</b>
	MODEL 181
	DRAWN BY: R.O.
	DATE: 4-6-98
	DRAWING NO. D1-323

MACHINE

SECTION

12

MODEL SL180-12 SWINGLOADER

COOLING SYSTEM

ASSEMBLY  
NUMBER

DESCRIPTION

1803479

TRANSMISSION OIL COOLER INSTALLATION

ITEM  
NO.PART  
NUMBER

DESCRIPTION

QTY  
USED

2	1800443	H.H.C.S. 5/16-18 X 1" LONG	6
3	1800550	5/16" FLAT WASHER	6
4	1800074	5/16" LOCK WASHER	6
5	1803167	TRANSMISSION COOLER	1
6	1803168	MOUNTING PLUG KIT	3
7	1803169	TRANSMISSION COOLER MOUNTING BRACKET	2