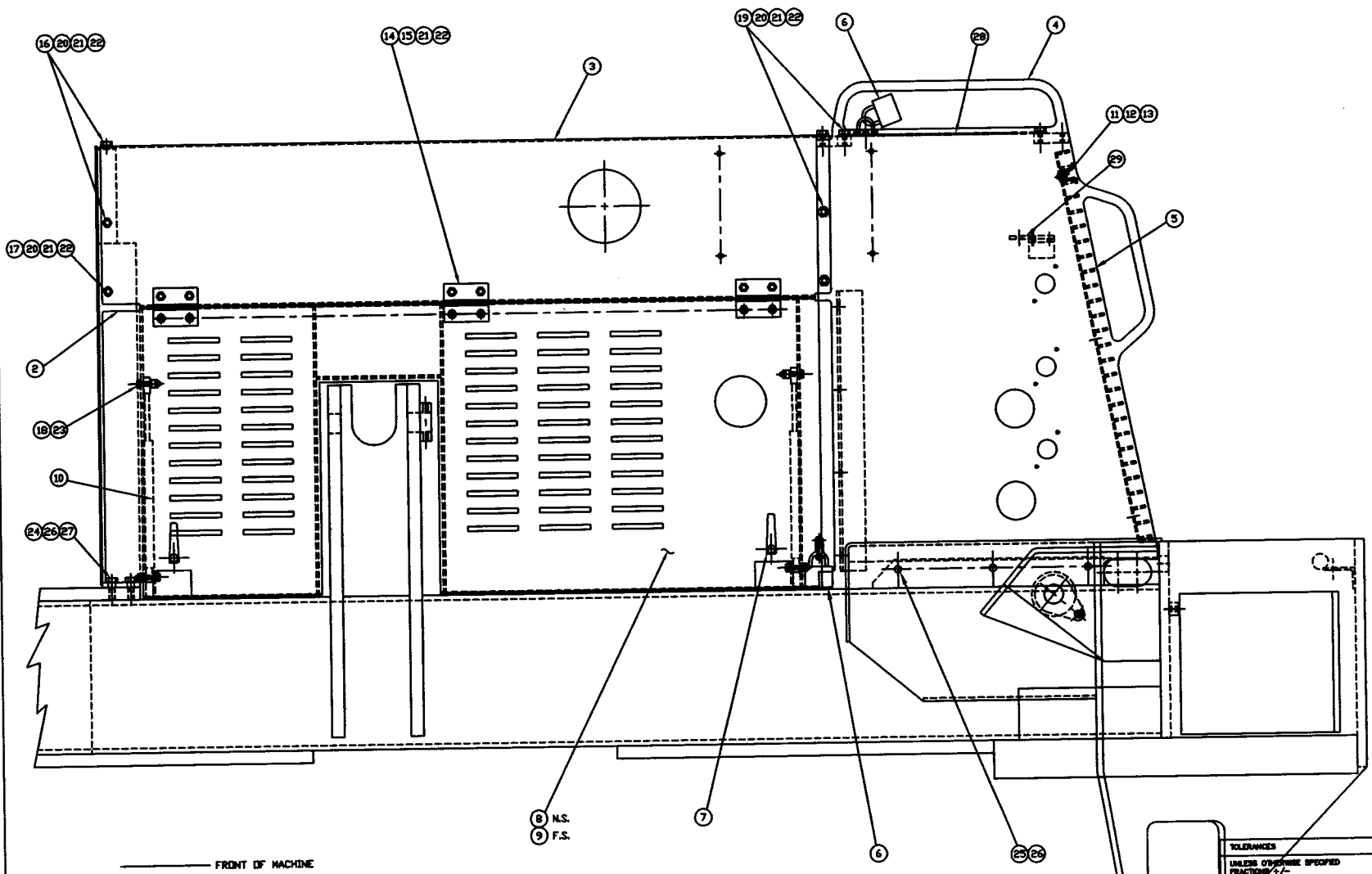


SECTION N

COVERS  
AND  
GRILL



FRONT OF MACHINE

8 N.S.  
9 F.S.

1 INSTALLATION

**TOLERANCES**  
 UNLESS OTHERWISE SPECIFIED  
 FRACTIONS  $\pm$   
 3 PLACE DECIMALS  $\pm$   
 2 PLACE DECIMALS  $\pm$   
 1 PLACE DECIMALS  $\pm$   
 ANGLES  
 SEE SWINGMASTER SPECIFICATION  
 0-1 FOR TOLERANCES NOT SPECIFIED  
 DIMENSIONS ARE IN INCHES  
 DO NOT SCALE DRAWING  
 SCALE: 1"=4"

<b>SWINGMASTER CORPORATION</b>	
11415 MELROSE AVENUE FRANKLIN PARK, ILLINOIS 60131	
<b>ENGINE COVERS INSTALLATION</b>	
FOR CUMMINS QSB6.7 DIESEL ENGINE	
MODEL SL180	DRAWING NO.
DRAWN BY: J.K.	D4-791
DATE: 11-08-02	

MECHINE

SECTION

14

MODEL SL180 SWINGLOADER

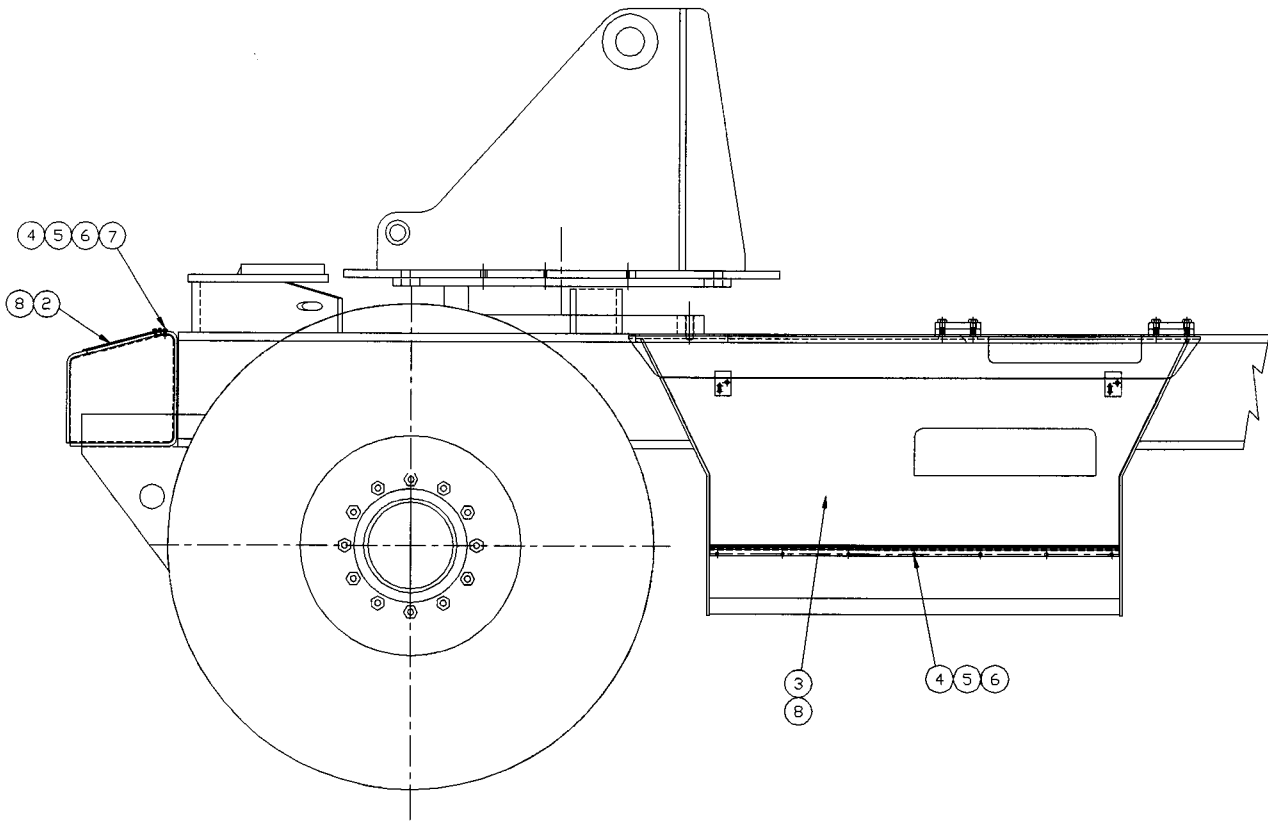
COVERS AND GRILL

ASSEMBLY  
NUMBER

DESCRIPTION

1806724 ENGINE COVER INSTALLATION

ITEM NO.	PART NUMBER	DESCRIPTION	QTY USED
2	1805781	HOOD SUPPORT	1
3	1806725	ENGINE HOOD	1
4	1806726	GRILL WELDMENT	1
5	1806727	STEEL GRATING	1
6	1800175	PADLOCK AND KEY	3
7	1800196	LATCH	4
8	1806728	ENGINE SIDE COVER - L.H.	1
9	1806729	ENGINE SIDE COVER - R.H.	1
10	1800183	GAS SPRING	4
11	1800439	H.H.C.S. 1/4-20 X 1 1/2" LONG	6
12	1800186	STEEL ANCHOR CLIPS	6
13	1800673	1/4-20 CLIP NUT	6
14	1800310	HINGE 3" x 3.5" LG.	6
15	1801430	H.H.C.S. 5/16-18 X 5/8" LONG	24
16	1800442	H.H.C.S. 5/16-18 X 3/4" LONG	5
17	1800443	H.H.C.S. 5/16-18 X 1" LONG	2
18	1800444	H.H.C.S. 5/16-18 X 1 1/4" LONG	8
19	1800445	H.H.C.S. 5/16-18 X 1 1/2" LONG	17
20	1800550	5/16" FLAT WASHER	24
21	1800074	5/16" LOCK WASHER	48
22	1800512	HEX NUT 5/16-18	48
23	1800513	ESNA HEX NUT 5/16-18	8
24	1800469	H.H.C.S. 1/2-13 X 1" LONG	4
25	1800471	H.H.C.S. 1/2-13 X 1 1/2" LONG	6
26	1800570	1/2" LOCK WASHER	10
27	1800554	1/2" FLAT WASHER	4
28	1806405	RADIATOR COVER PLATE WELDMENT	1
29	1806278	LIGHTS MTG. BAR	1



TOLERANCES

UNLESS OTHERWISE SPECIFIED  
 FRACTIONS +/-  
 3 PLACE DECIMALS +/-  
 2 PLACE DECIMALS +/-  
 1 PLACE DECIMALS +/-  
 ANGLES

SEE SWINGMASTER SPECIFICATION  
 G-1 FOR TOLERANCES NOT SPECIFIED

DIMENSIONS ARE IN INCHES  
 DO NOT SCALE DRAWING  
 SCALE: 1=12

**SWINGMASTER CORPORATION**

11415 MELROSE AVENUE  
 FRANKLIN PARK, ILLINOIS 60131

FENDER & FRONT TOOL BOX COVER INST'L

MODEL SL180

DRAWN BY: J.K.      DRAWING NO.  
 DATE: 10-09-00      C-409

MACHINE	SECTION	14
-----	-----	-----
MODEL SL180 SWINGLOADER	COVERS AND GRILL	
-----	-----	-----

ASSEMBLY  
NUMBER

DESCRIPTION

-----  
1806233  
-----

-----  
FENDER & FRONT TOOL BOX COVER INST'L  
-----

ITEM NO.	PART NUMBER	DESCRIPTION	QTY. USED
-----			
2	1806234	FRONT TOOL BOX COVER PLATE	1.00
3	1806235	FENDR COVER WELDMENT	1.00
4	1800443	H.H.C.S. 5/16-18 X 1" LONG	15.00
5	1800074	5/16" LOCK WASHER	15.00
6	1800512	HEX NUT 5/16-18	15.00
7	1800310	HINGE 3" x 3.5" LG.	2.00
8	1800175	PADLOCK AND KEY	2.00
-----			