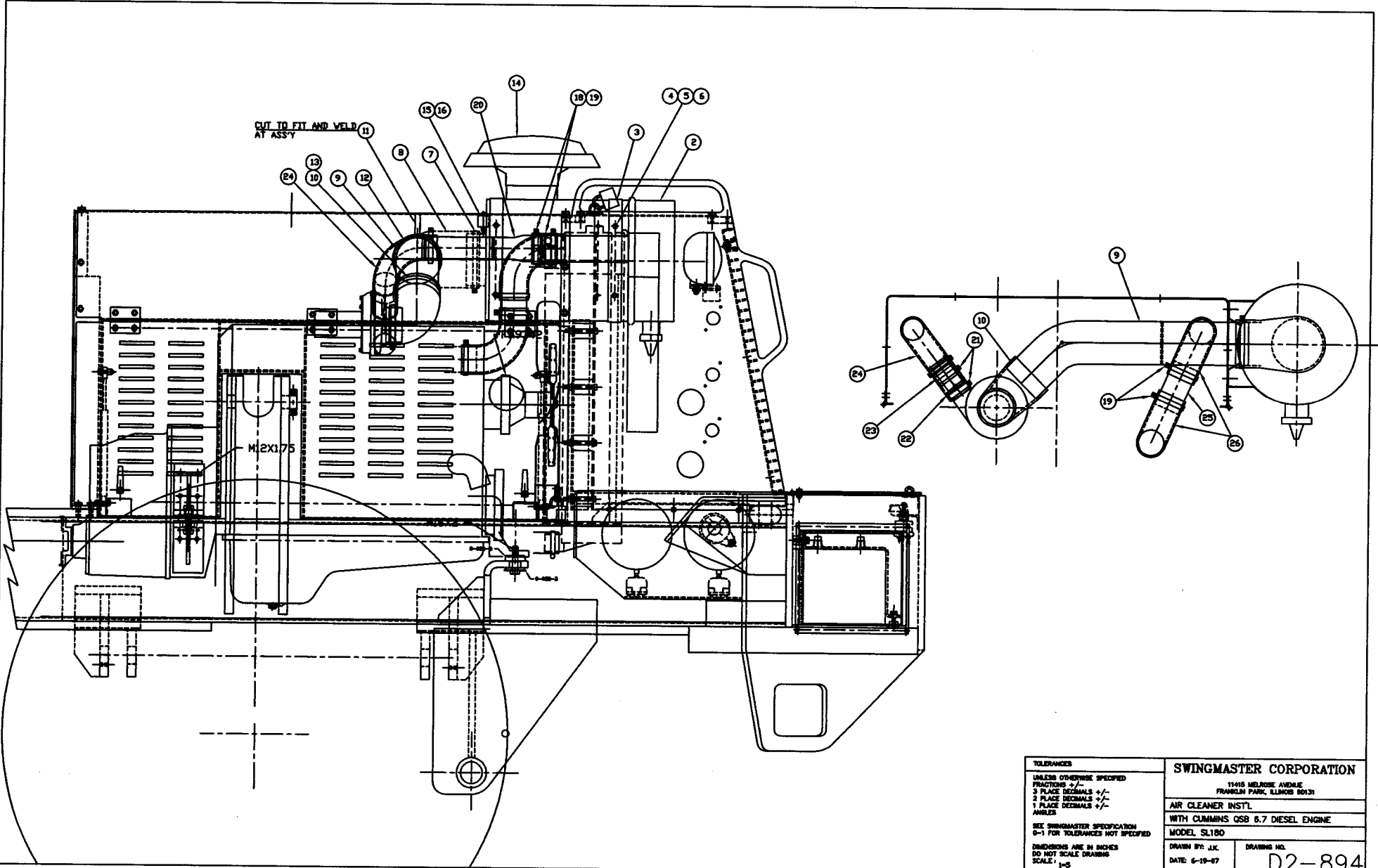


SECTION J

ENGINE
AIR INTAKE
SYSTEM



CUT TO FIT AND WELD
AT ASSY

M12X1.75

| | | |
|--|---|--|
| TOLERANCES UNLESS OTHERWISE SPECIFIED FRACTIONS +/- 3 PLACE DECIMALS +/- 2 PLACE DECIMALS +/- 1 PLACE DECIMALS +/- ANGLES | SWINGMASTER CORPORATION | |
| | 11415 MELROSE AVENUE FRANKLIN PARK, ILLINOIS 60131 | |
| SEE SWINGMASTER SPECIFICATION 0-1 FOR TOLERANCES NOT SPECIFIED DIMENSIONS ARE IN INCHES DO NOT SCALE DRAWING SCALE: 1-5 | AIR CLEANER INST'L WITH CUMMINS QSB 6.7 DIESEL ENGINE MODEL SL150 | |
| DRAWN BY: JJK DATE: 6-19-67 | DRAWING NO. D2-894 | |

MECHINE

SECTION

10

MODEL SL180 SWINGLOADER

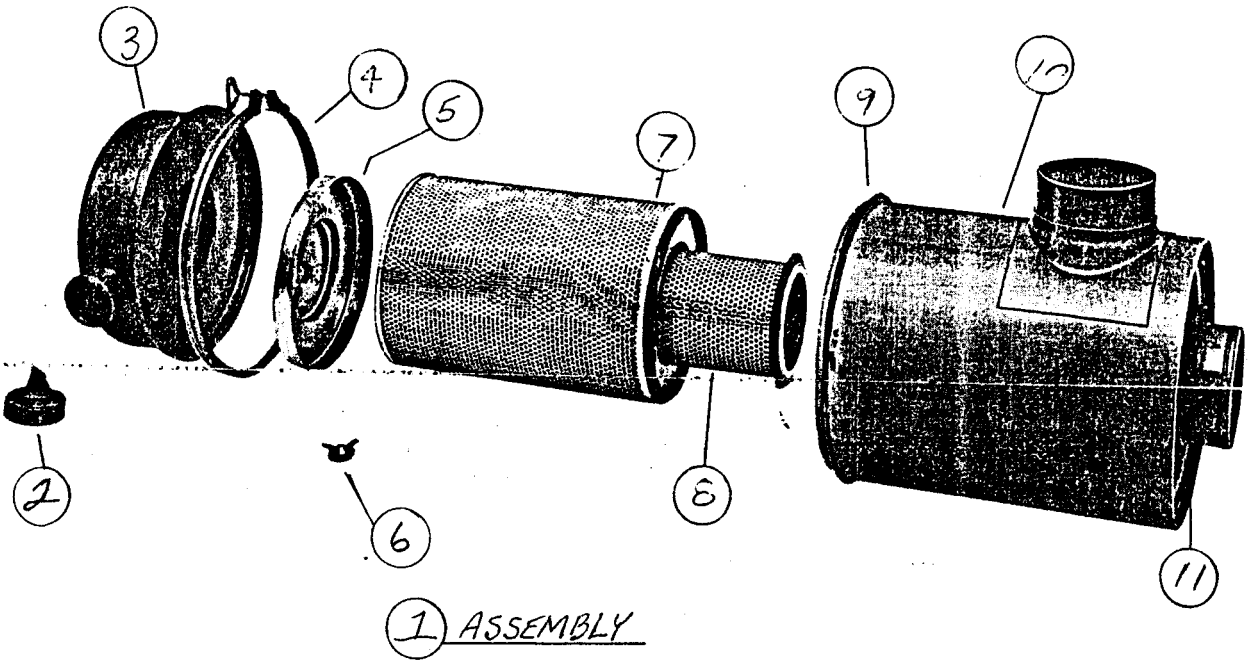
ENGINE AIR INTAKE SYSTE

ASSEMBLY
NUMBER

DESCRIPTION

1806732 AIR CLEANER INSTALLATION

| ITEM NO. | PART NUMBER | DESCRIPTION | QTY USED |
|-------------|----------------|------------------------------------|-------------|
| 2 | 1802813 | AIR CLEANER | 1 |
| 3 | 1802812 | AIR CLEANER MOUNTING BRACKET | 2 |
| 4 | 1805307 | HHCS 7/16-14X3/4"LG | 4 |
| 5 | 1802557 | HEX NUT 7/16-14 | 4 |
| 6 | 1800569 | 7/16" LOCK WASHER | 4 |
| 7 | 1805562 | CLAMP | 1 |
| 8 | 1803336 | 90 DEG. RUBBER ELBOW - 5" TO 6" | 1 |
| 9 | 1806158 | TUBE WELDMENT | 1 |
| 10 | 1806263 | 90 REDUCING ELBOW | 1 |
| 11 | 1805762 | STRAP HANGER CLAMP | 1 |
| 12 | 1805564 | CLAMP | 2 |
| 13 | 1800690 | 4 3/4" HOSE CLAMP | 1 |
| 14 | 1802811 | AIR CLEANER LID | 1 |
| 15 | 1805266 | INFORMER GAGE BNSPL | 1 |
| 16 | 1800201 | FILTER ADAPTER | 1 |
| 18 | 1806376 | SIL. HOSE-3" LONG | 1 |
| 19 | 1806269 | CLAMP | 6 |
| 20 | 1806710 | TUBE WELDMENT | 1 |
| 21 | 1806711 | CLAMP - 2-3/4" OD. | 4 |
| 22 | 1806712 | SIL. HOSE - 3" LG. | 1 |
| 23 | 1806713 | TUBE - 4" LG. | 1 |
| 24 | 1806714 | 90DEG SIL. RUBBER ELBOW - 2.50"ID. | 1 |
| 25 | 1806715 | TUBE - 5.50"LG. | 1 |
| 26 | 1806688 | 90DEG SIL. RUBBER ELBOW | 2 |



| MACHINE | SECTION | 10 |
|-----------------------|-------------------|----|
| MODEL 361 SWINGLOADER | AIR INTAKE SYSTEM | |

ASSEMBLY
NUMBER

DESCRIPTION

1802813

TWO STAGE AIR CLEANER ASSEMBLY

| ITEM NO. | PART NUMBER | DESCRIPTION | QTY. USED |
|----------|-------------|--|-----------|
| 2 | 8700676 | VACUATOR VALVE | 1 |
| 3 | 8703243 | COVER/ CUP ASSEMBLY | 1 |
| 4 | 8703244 | CLAMP ASSEMBLY | 1 |
| 5 | 8703245 | BAFFLE ASSEMBLY | 1 |
| 6 | 8700680 | NUT ASSEMBLY | 2 |
| 7a | 8703246 | EXTENDED LIFE AIR CLEANER ELEMENT | 1 |
| 7b | 8703247 | SCHEDULED MAINTENANCE CLEANER ELEMENT | 1 |
| 8 | 8703248 | INSIDE AIR CLEANER ELEMENT | 1 |
| 9 | 8703249 | O-RING | 1 |
| 10 | | BODY ASSEMBLY - UNAVAILABLE SEPERATELY | 1 |
| 11 | 8700737 | CAP | 1 |