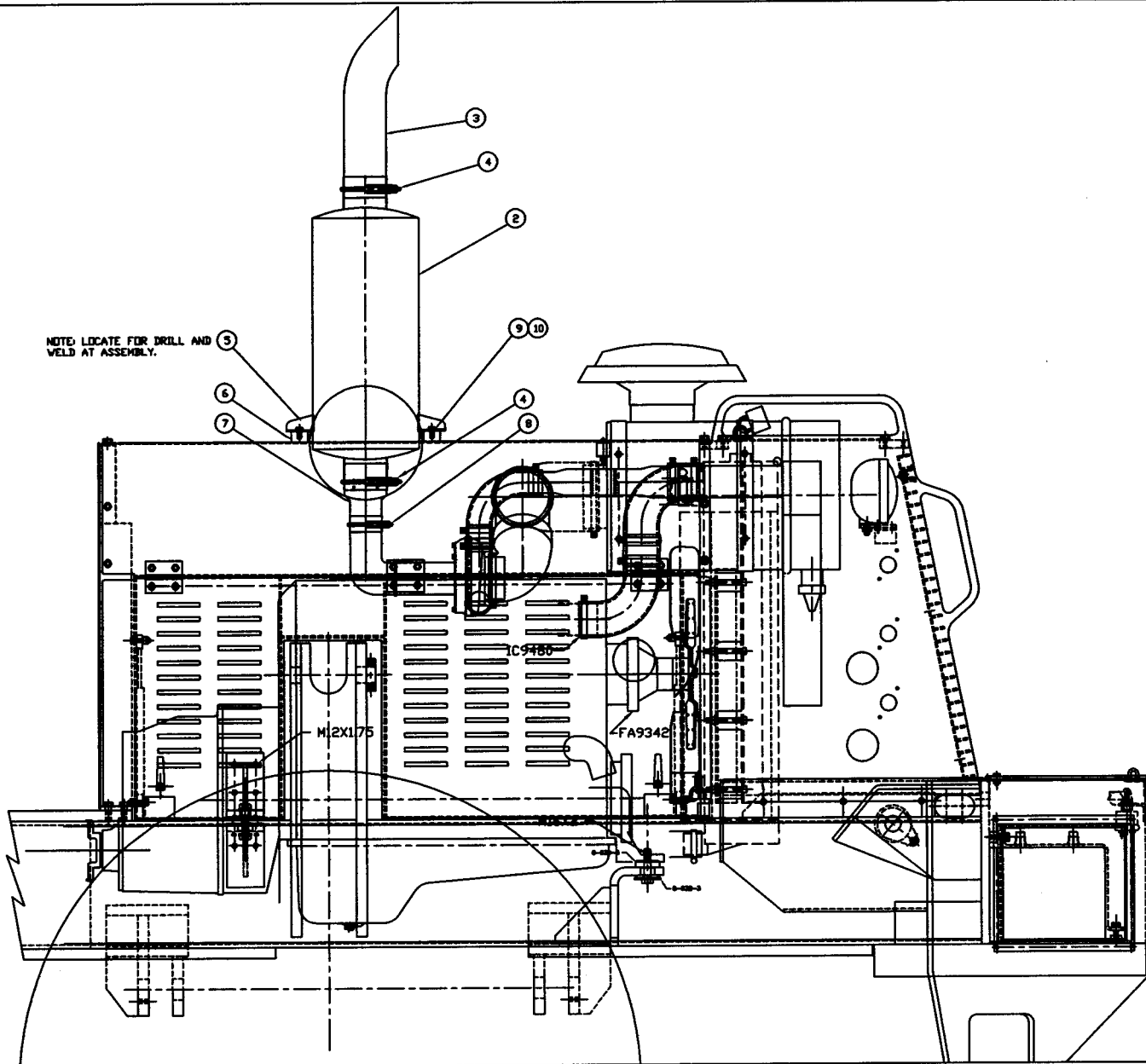




SECTION K

ENGINE
EXHAUST
SYSTEM



NOTE: LOCATE FOR DRILL AND WELD AT ASSEMBLY.

TOLERANCES
 UNLESS OTHERWISE SPECIFIED
 FRACTIONS +/-
 3 PLACE DECIMALS +/-
 2 PLACE DECIMALS +/-
 1 PLACE DECIMALS +/-
 ANGLES
 SEE SWINGMASTER SPECIFICATION
 0-1 FOR TOLERANCES NOT SPECIFIED
 DIMENSIONS ARE IN INCHES
 DO NOT SCALE DRAWING
 SCALE 1/8"

SWINGMASTER CORPORATION
 11418 MELROSE AVENUE
 FRANKLIN PARK, ILLINOIS 60131
MUFFLER INSTALLATION
 MODEL SL180 WITH CUMMINS QSB 6.7 ENGINE
 DRAWN BY: J.K. DRAWING NO. D6-721
 DATE: 6-12-07

MECHINE

SECTION

11

MODEL SL180 SWINGLOADER

ENGINE EXHAUST SYSTEM

ASSEMBLY
NUMBER

DESCRIPTION

1806731 MUFFLER INSTALLATION

ITEM NO.	PART NUMBER	DESCRIPTION	QTY USED
2	1803343	MUFFLER	1
3	1803342	4" I.D. X 18" LONG CURVED STACK	1
4	1803944	MUFFLER CLAMP - 4 1/8"	2
5	1805566	MOUNTING BRACKET	3
6	1806365	RUBBER MOUNT	3
7	1806121	REDUCER	1
8	1802555	MUFFLER CLAMP - 3 1/8"	1
9	1800514	HEX NUT 3/8-16	6
10	1800568	3/8" LOCK WASHER	6