



SECTION A
FRAME ASSEMBLY

SWINGMASTER CORPORATION

PARTS BOOK

MACHINE

SECTION

A

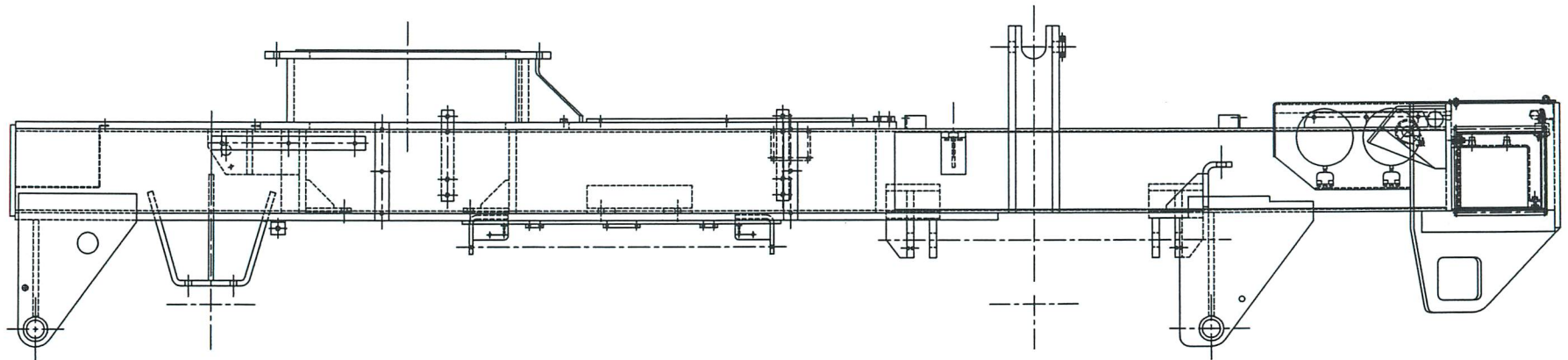
MODEL 361 SWINGLOADER

FRAME ASSEMBLY

DESCRIPTION

MAIN FRAME WELDMENT - FOR CUMMINS QSB6.7 ENGINE

SWINGMASTER CORPORATION
11415 MELROSE AVENUE
FRANKLIN PARK, ILLINOIS 60131
TELEPHONE: (847) 451-1224



TOLERANCES UNLESS OTHERWISE SPECIFIED FRACTIONS +/- 3 PLACE DECIMALS +/- 0.016 2 PLACE DECIMALS +/- 0.06 1 PLACE DECIMALS +/- ANGLES SEE SWINGMASTER SPECIFICATION 0-1 FOR TOLERANCES NOT SPECIFIED DIMENSIONS ARE IN INCHES DO NOT SCALE DRAWING SCALE: 1/8	SWINGMASTER CORPORATION 11415 MELROSE AVENUE FRANKLIN PARK, ILLINOIS 60131 (817) 451-1224	
	MAIN FRAME WELDMENT MODEL 361 WITH CUMMINS QSB6.7 DIESEL ENG.	
DRAWN BY: J.K. DATE: 3-12-07	DRAWING NO. D2-890	