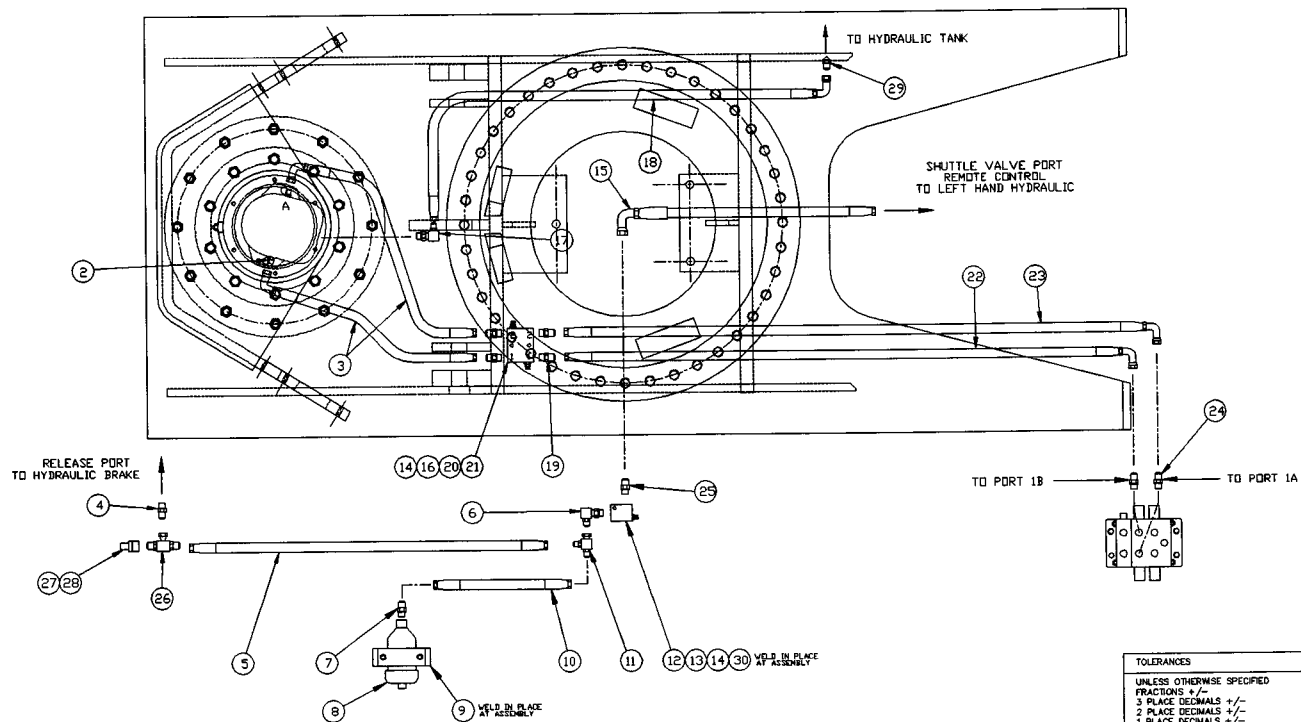


SECTION V

SWING  
DRIVE  
SYSTEM



1 INSTALLATION

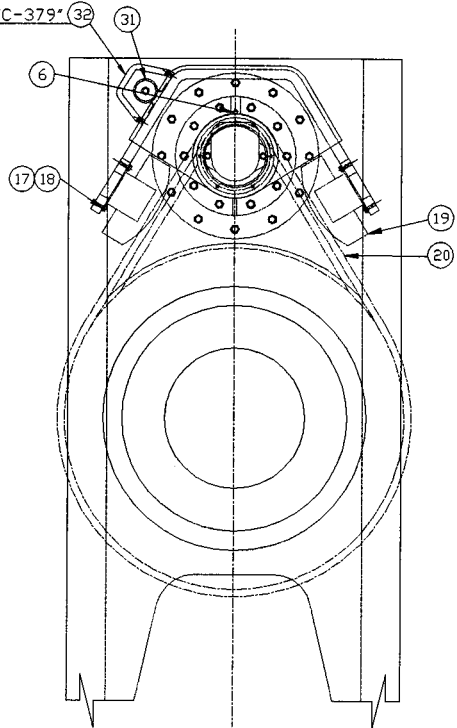
TOLERANCES UNLESS OTHERWISE SPECIFIED FRACTIONS +/- 5 PLACE DECIMALS +/- 2 PLACE DECIMALS +/- 1 PLACE DECIMALS +/- ANGLES	<b>SWINGMASTER CORPORATION</b> 11415 MELROSE AVENUE FRANKLIN PARK, ILLINOIS 60131	
	SWING DRIVE LINES & FITTINGS	
SEE SWINGMASTER SPECIFICATION 0-1 FOR TOLERANCES NOT SPECIFIED	MODEL SL180-15	
DIMENSIONS ARE IN INCHES DO NOT SCALE DRAWING SCALE:	DRAWN BY: J.K. DATE: 9-8-98	DRAWING NO. <b>D-805</b>

MACHINE	SECTION	22
-----	-----	-----
MODEL SL180 SWINGLOADER	SWING DRIVE SYSTEM	
-----	-----	-----

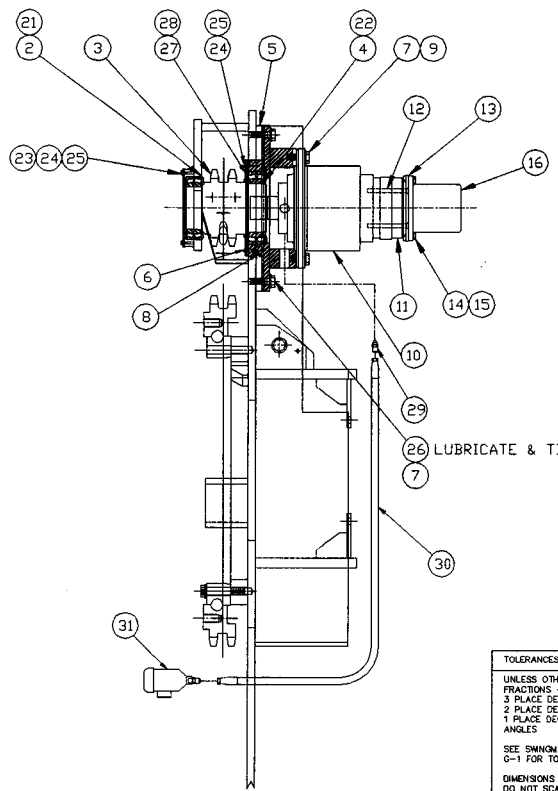
ASSEMBLY NUMBER	DESCRIPTION
-----	-----
1805910	SWING DRIVE LINES & FITTINGS INSTALL
-----	-----

ITEM NO.	PART NUMBER	DESCRIPTION	QTY. USED
-----	-----	-----	-----
002	1801831	STRAIGHT MALE 1 O-RING TO 5/8 TUBE	2.00
003	1805911	HOSE ASSEMBLY -2781-10	2.00
004	1802245	STRAIGHT MALE 1/4 O-RING TO 3/8 TUBE	1.00
005	1805912	HOSE ASSEMBLY -1503-6	1.00
006	1800794	90 DEG MALE ELBOW 3/8 O-RING TO 3/8 TUBE	1.00
007	1800764	STRAIGHT MALE 1/2 O-RING TO 3/8 TUBE	1.00
008	1802256	ACCUMULATOR	1.00
009	1802257	HOSE CLAMP - 2 3/4"	1.00
010	1805913	HOSE ASSEMBLY -1503-6	1.00
011	1800858	3/8 TUBE RUN TEE M-F SWIVEL-M	1.00
012	1802255	FLOW CONTROL VALVE	1.00
013	1800446	H.H.C.S. 5/16-18 X 1 3/4" LONG	1.00
014	1800074	5/16" LOCK WASHER	3.00
015	1805914	HOSE ASSEMBLY -1503-6	1.00
016	1802605	MOUNTING BAR	1.00
017	1802437	90 DEG. MALE ELBOW 1/2 O-RING TO 3/8 TBE	1.00
018	1805915	HOSE ASSEMBLY -1503-6	1.00
019	1801598	STRAIGHT MALE 5/8 O-RING TO 5/8 TUBE	4.00
020	1802254	CROSSOVER RELIEF VALVE	1.00
021	1800447	H.H.C.S. 5/16-18 X 2" LONG	2.00
022	1805916	HOSE ASSEMBLY -2781-10	1.00
023	1805917	HOSE ASSEMBLY -2781-10	1.00
024	1800766	STRAIGHT MALE 1/2 O-RING TO 5/8 TUBE	2.00
025	1800762	STRAIGHT MALE 3/8 O-RING TO 3/8 TUBE	1.00
026	1800882	3/8 TUBE BRANCH TEE M-M-F SWIVEL	1.00
027	1801668	3/8" MALE QUICK DISCONNECT	1.00
028	1800876	DUST CAP	1.00
029	1803755	STRAIGHT MALE 3/4 PIPE TO 3/8 TUBE	1.00
030	1803671	BAR	1.00
-----	-----	-----	-----

SEE "C-379" 32



1 INSTALLATION



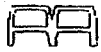
26 LUBRICATE & TIGHT TO TORQUE 210 FT-LBS.

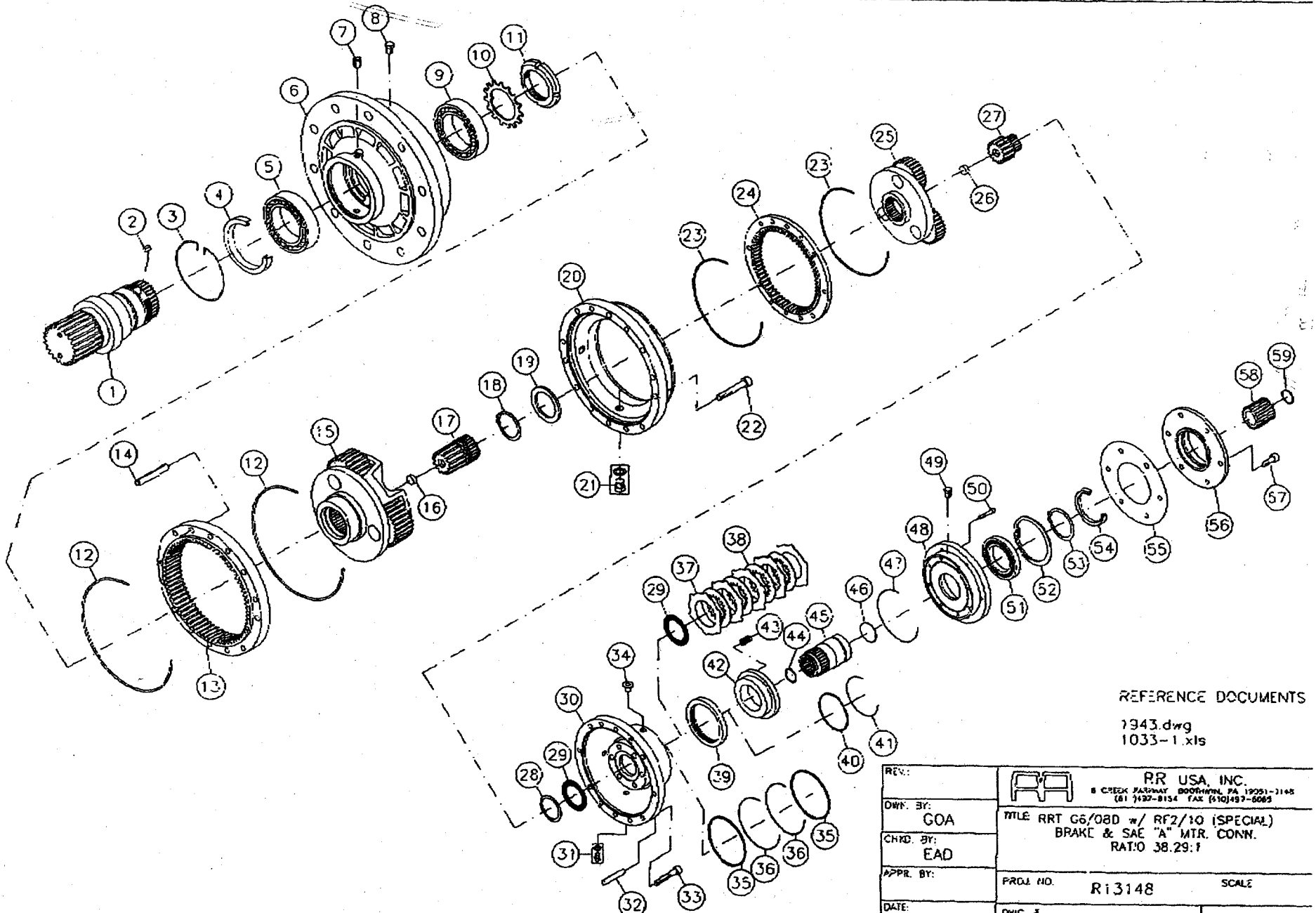
<b>TOLERANCES</b> UNLESS OTHERWISE SPECIFIED FRACTIONS +/- 3 PLACE DECIMALS +/- 2 PLACE DECIMALS +/- 1 PLACE DECIMALS +/- ANGLES	<b>SWINGMASTER CORPORATION</b>	
	11415 MELROSE AVENUE FRANKLIN PARK, ILLINOIS 60131	
SEE SWINGMASTER SPECIFICATION 0-1 FOR TOLERANCES NOT SPECIFIED	SWING DRIVE INSTALLATION	
DIMENSIONS ARE IN INCHES DO NOT SCALE DRAWING SCALE: 1=8	MODEL SL180-15	DRAWING NO.
	DRAWN BY: J.K.	DATE: 9-2-98
		D-802

MACHINE	SECTION	22
-----	-----	-----
MODEL SL180 SWINGLOADER	SWING DRIVE SYSTEM	
-----	-----	-----

ASSEMBLY	
NUMBER	DESCRIPTION
-----	-----
1805859	SWING DRIVE INSTALLATION
-----	-----

ITEM NO.	PART NUMBER	DESCRIPTION	QTY. USED
-----	-----	-----	-----
002	1802048	BEARING - 5.50" I.D. X 2.00" WIDE	1.00
003	1802049	PINION GEAR	1.00
004	1802050	BEARING - 6.25" I.D. X 2.38" WIDE	1.00
005	1805860	SWING DRIVE MTG. BRKT. WELDMENT	1.00
006	1800663	STRAIGHT 1/8" MALE-PIPE GREASE FITTING	2.00
007	1800572	3/4" LOCK WASHER	22.00
008	1801866	1/8" PIPE PLUG - SOCKET HEAD	1.00
009	1802053	H.H.C.S. 3/4-10 X 2 1/2" LONG	10.00
010	1802054	GEARBOX	1.00
011	1802055	BRAKE	1.00
012	1802056	FLAT HEAD H.S.C.S. 1/2-13 X 5 1/4" LONG	4.00
013	1805861	ADAPTER FLANGE	1.00
014	1802058	H.H.C.S. 5/8-11 X 1 1/2" LONG	2.00
015	1800022	5/8" LOCK WASHER	2.00
016	1802059	HYDRAULIC MOTOR	1.00
017	1801487	H.H.C.S. 3/8-16 X 7/8" LONG	4.00
018	1800568	3/8" LOCK WASHER	4.00
019	1802060	CHAIN TENSIONER	2.00
020	1803289	CHAIN - 2" PITCH	1.00
021	1804290	SEALING RING	2.00
022	1804291	SEALING RING	2.00
023	1805919	BEARING COVER PLATE	1.00
024	1800430	H.H.C.S. 1/4-20 X 1/2" LONG	12.00
025	1800567	1/4" LOCK WASHER	12.00
026	1800481	H.H.C.S. 3/4-10 X 2 3/4" LONG	12.00
027	1805862	RAIN AND DUST SEAL CAP	1.00
028	1805863	SEAL	1.00
029	1801689	STRAIGHT MALE 1/8 PIPE TO 3/8 TUBE	1.00
030	1805920	HOSE ASSEMBLY -1503-6	1.00
031	1804238	FLUID RESERVOIR	1.00
032	1806236	GUARD WELDMENT	1.00



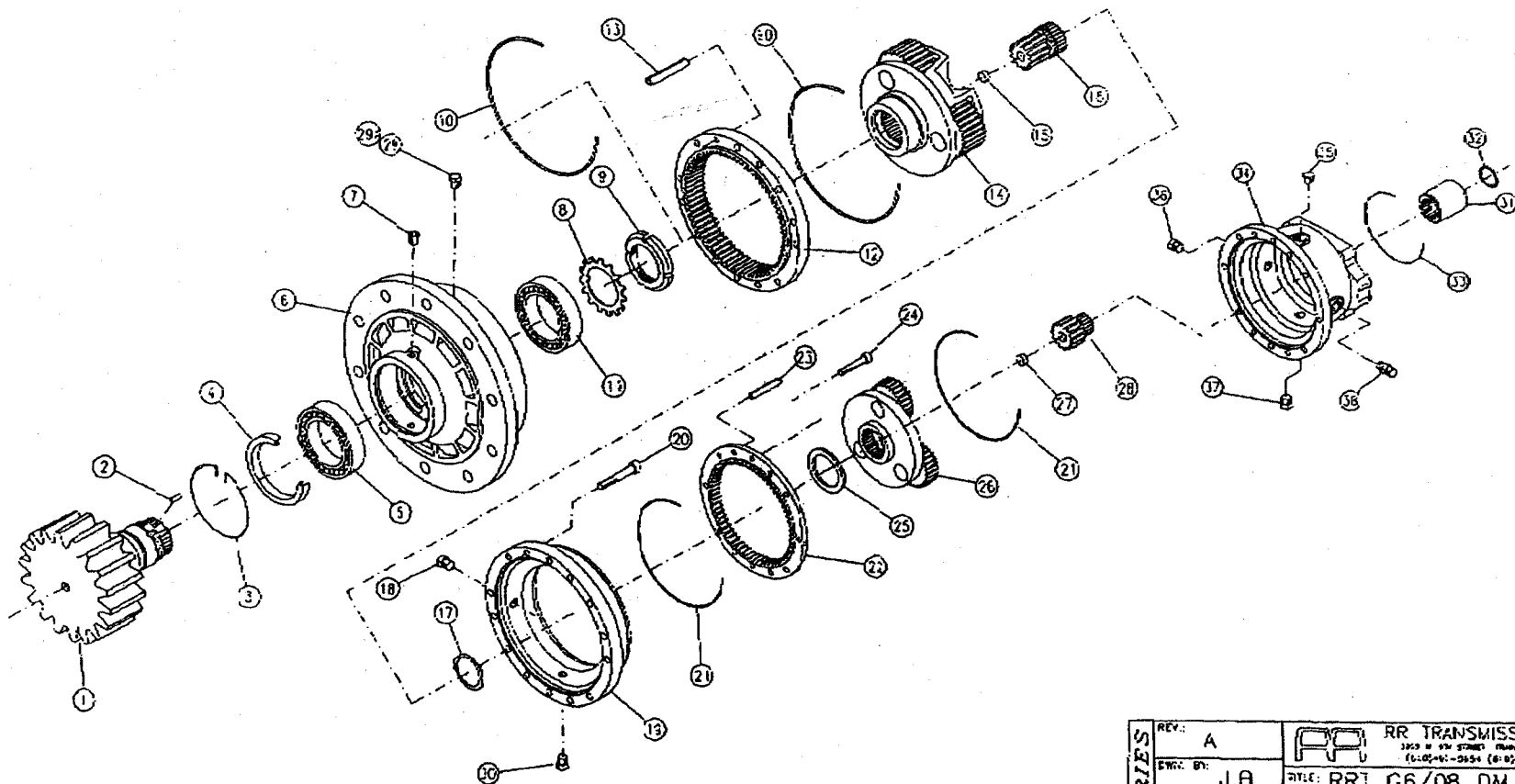
REFERENCE DOCUMENTS  
 1943.dwg  
 1033-1.xls

REV:	RR USA, INC. 8 CREEK FARMWAY BOOTHKAMP, PA 19001-2145 (610) 432-8154 FAX (610) 497-6085	
DWG. BY: GOA		
CHD. BY: EAD	TITLE RRT G6/08D w/ RF2/10 (SPECIAL) BRAKE & SAE "A" MTR. CONN. RATIO 38.29:1	
APPR. BY:	PRD. NO. R13148	SCALE
DATE:	DWG. #	



RR TRANSMISSIONS INC.  
 PROPRIETARY DATA OF RR TRANSMISSIONS INC. SUBJECT  
 TO RETURN UPON REQUEST. NOT TO BE DISCLOSED OR USED  
 WITHOUT SPECIFIC AUTHORIZATION OF RR TRANSMISSIONS INC.

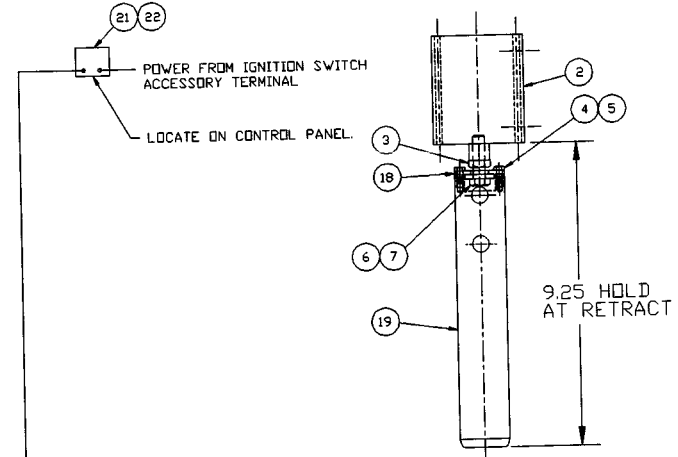
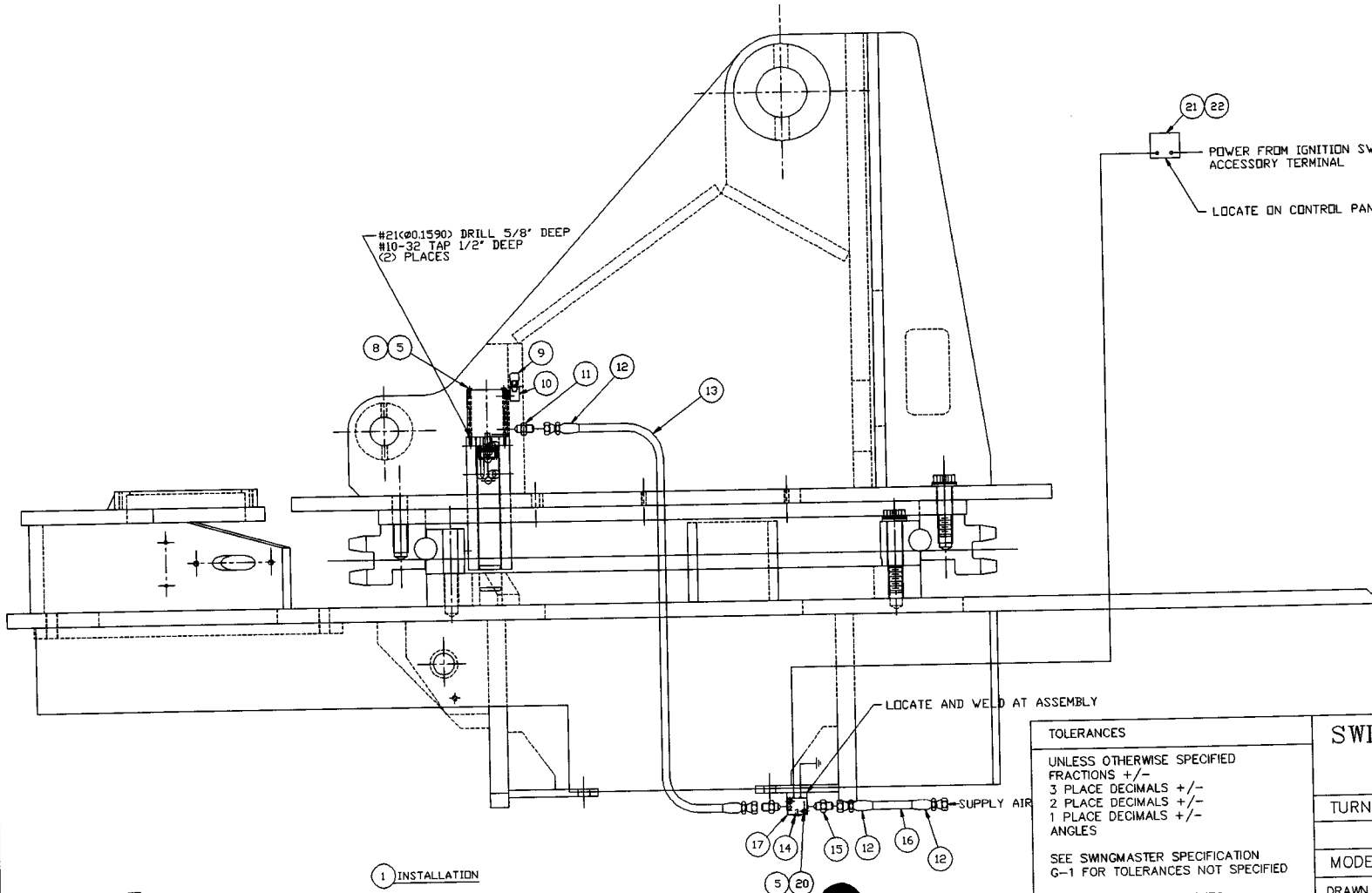
REV.	DESCRIPTION	DATE	APPROVED
A	ADDED MOTOR CONN. CHANGED FILE BLOCK/FITTINGS.	2-16-99	EAD



2000 SERIES	REV.: A	RR TRANSMISSIONS INC. 3953 W. 6TH STREET, PHOENIX, AZ 85041 (602) 991-2554 (602) 991-8025		
	ENGR. BY: J.B.	TITLE: RRT G6/08 DM		
	CHKD. BY:	W/ INTEGRAL PINION		
	APPR. BY:	W/ SAE C MOTOR CONN.		
	DATE: 2-16-99	CUST. I.D.	SCALE	
		DWG. #	SHEET OF	

VISIT OUR SITE ON THE WORLD WIDE WEB - <http://www.ultransmissions.com>

OPTIONAL (SPECIAL)



**CYLINDER AND PIN ASSEMBLY**  
(SCALE 1=2)

LOCATE AND WELD AT ASSEMBLY

**TOLERANCES**  
UNLESS OTHERWISE SPECIFIED  
FRACTIONS +/-  
3 PLACE DECIMALS +/-  
2 PLACE DECIMALS +/-  
1 PLACE DECIMALS +/-  
ANGLES

SEE SWINGMASTER SPECIFICATION  
G-1 FOR TOLERANCES NOT SPECIFIED

DIMENSIONS ARE IN INCHES  
DO NOT SCALE DRAWING  
SCALE: 1/4

**SWINGMASTER CORPORATION**  
11415 MELROSE AVENUE  
FRANKLIN PARK, ILLINOIS 60131

**TURNTABLE LOCK CYLINDER INSTALLATION**

MODEL SL180-15

DRAWN BY: J.K.      DRAWN: [Signature]

DATE: 9-21-98

C-376

1 INSTALLATION



MACHINE	SECTION	22
-----	-----	-----
MODEL SL180 SWINGLOADER	SWING DRIVE SYSTEM	
-----	-----	-----

ASSEMBLY  
NUMBER

DESCRIPTION

1805945

TURNTABLE LOCK CYLINDER INSTALLATION

ITEM NO.	PART NUMBER	DESCRIPTION	QTY. USED
-----	-----	-----	-----
002	1805336	AIR CYLINDER	1.00
003	1803298	HEX JAM NUT 3/8-24	1.00
004	1800936	ROUND HEAD MACHINE SCREW #10-32 X 1/2	4.00
005	1800566	#10 LOCK WASHER	8.00
006	1805337	H.H.C.S. 3/8-24X1-1/4"LG	1.00
007	1800552	3/8" FLAT WASHER	1.00
008	1805338	R.H.M.S. #10-32X3-3/4"LG	2.00
009	1805339	BREATHER VENT	1.00
010	1801476	90 DEG 1/8 PIPE ELBOW M-F	1.00
011	1800750	STRAIGHT MALE 1/8 PIPE TO 1/4 TUBE	1.00
012	1800976	STRAIGHT 1/4 TUBE F-1503-4	6.00
013	1800705	1503-4 BULK HOSE/(IN)	
014	1802506	3 WAY SOLENOID VALVE	1.00
015	1800751	STRAIGHT MALE 1/4 PIPE TO 1/4 TUBE	1.00
016	1800705	1503-4 BULK HOSE/(IN)	
017	1805342	SOLENOID MTG. PLATE	1.00
018	1805344	TURNTABLE LOCK PIN MTG. PLATE	1.00
019	1805946	TURNTABLE LOCK PIN	1.00
020	1801434	ROUND HEAD MACH SCREW #10-32 X 3/4" LONG	2.00
021	1802280	SWITCH - ON - ON (DOUBLE POLE)	1.00
022	1800409	SYMBOL - RED BLANK	1.00
-----	-----	-----	-----